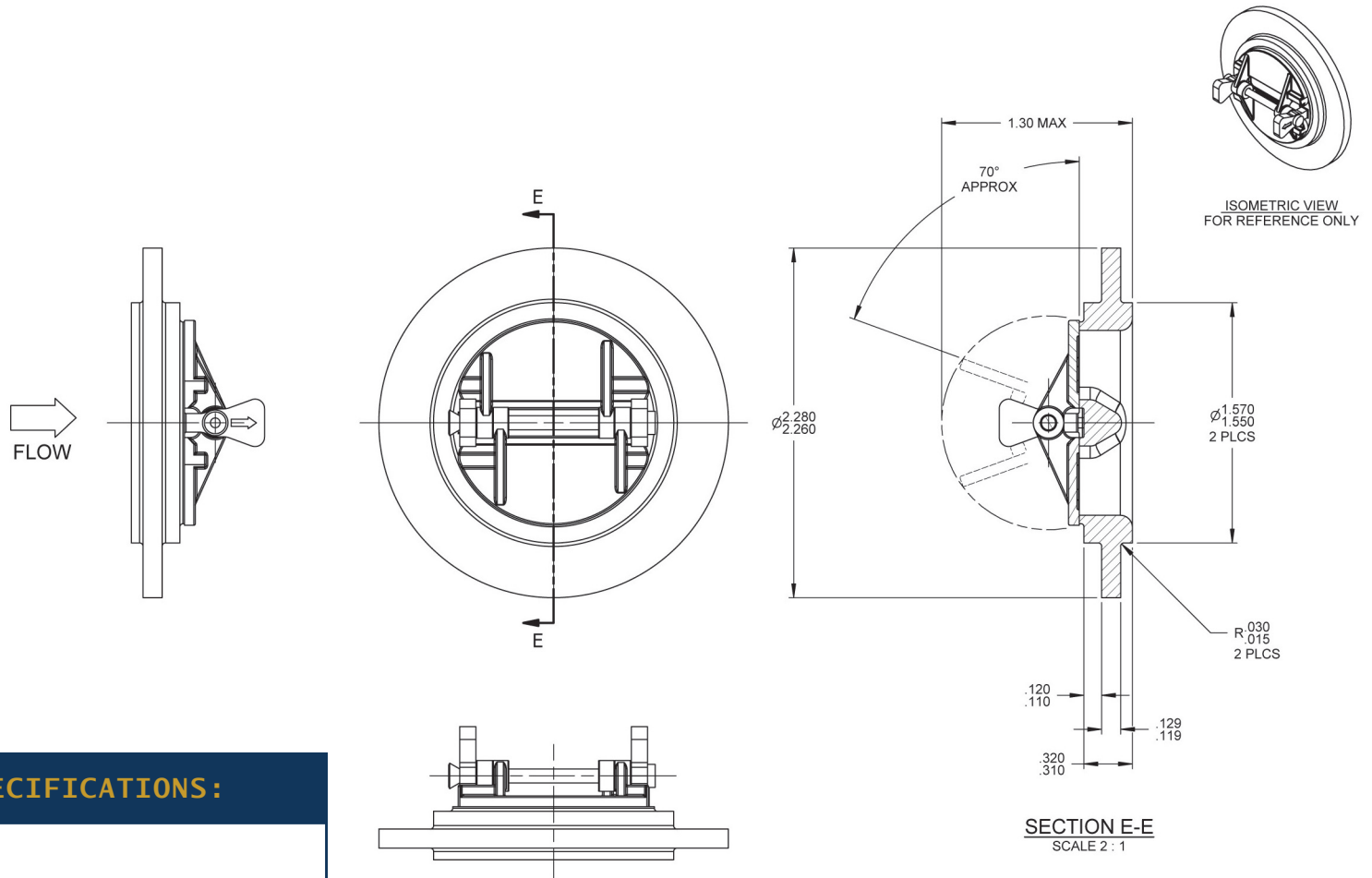




PART NUMBER: 2S7364, CHECK VALVE



PERFORMANCE SPECIFICATIONS:

FLUIDS: BLEED AIR

MATERIAL: BODY 2024-T351 AL

FLAPPER A356-T6 AL

TEMPERATURE RANGE: -65°F TO 171°F (FLUID)

-67°F TO 185°F (AMBIENT)

OPERATING PRESSURE: 10 PSIG

PROOF PRESSURE: 15.6 PSIG AT 85°F

FLOW: 4 LB/MIN AT 0.35 PSID MAX AT 10 PSIG INLET AND 171°F

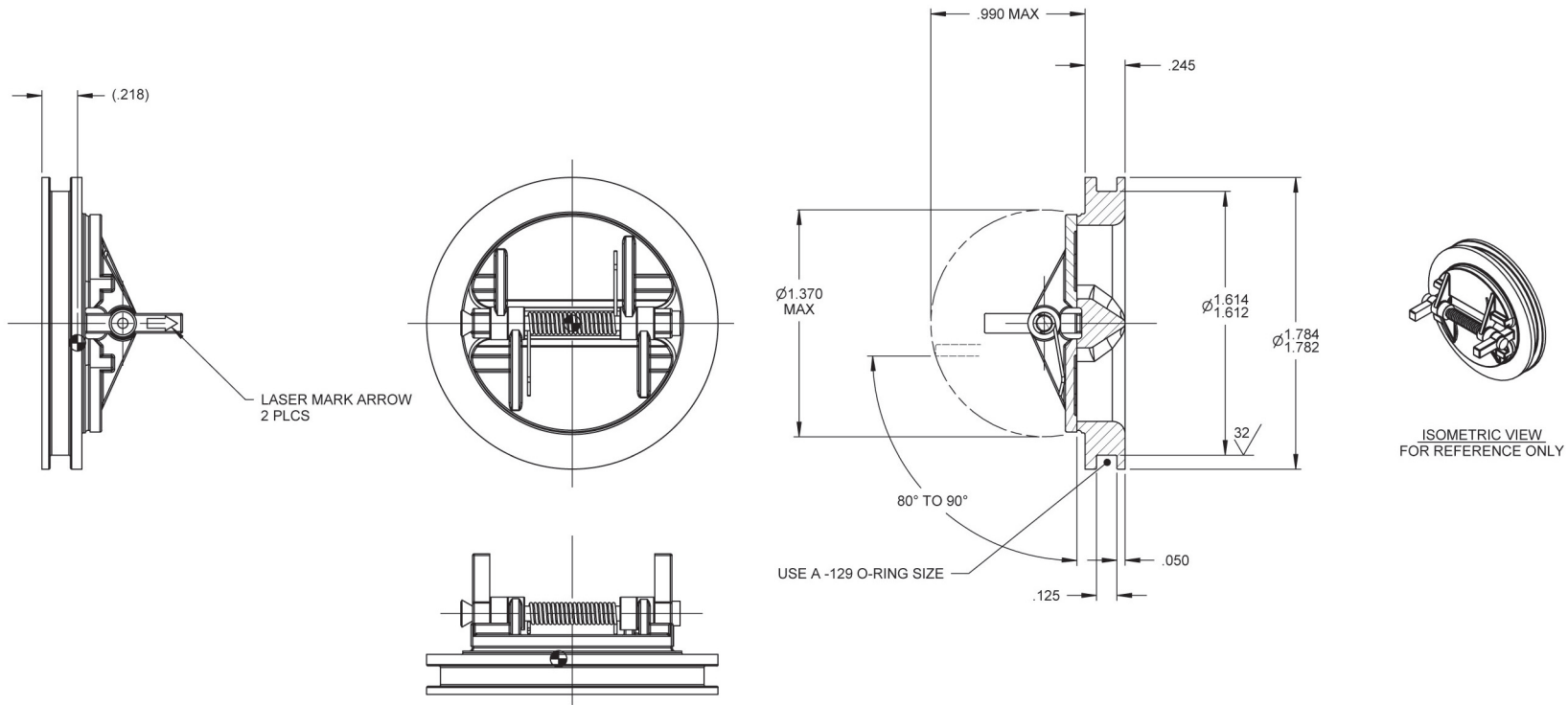
INTERNAL LEAKAGE: 0.10 LB/MIN MAX FROM 0 TO 10 PSIG AT 80°F

WEIGHT: 0.07 LBS MAX

CATEGORY 1: SPLIT FLAPPER CHECK VALVES



PART NUMBER: 2S7396, CHECK VALVE



PERFORMANCE SPECIFICATIONS:

FLUIDS: AIR

MATERIAL: BODY A356-T6 AL

FLAPPER A356-T6 AL

TEMPERATURE RANGE: -40°F TO 212°F

OPERATING PRESSURE: 8.7 PSIG

PROOF PRESSURE: 30.6 PSIG

CRACKING PRESSURE: 0.06 PSIG MAX

FLOW: 1.32 TO 3.97 LB/MIN AT 0.2 PSID MAX AT 8.7 PSIG INLET

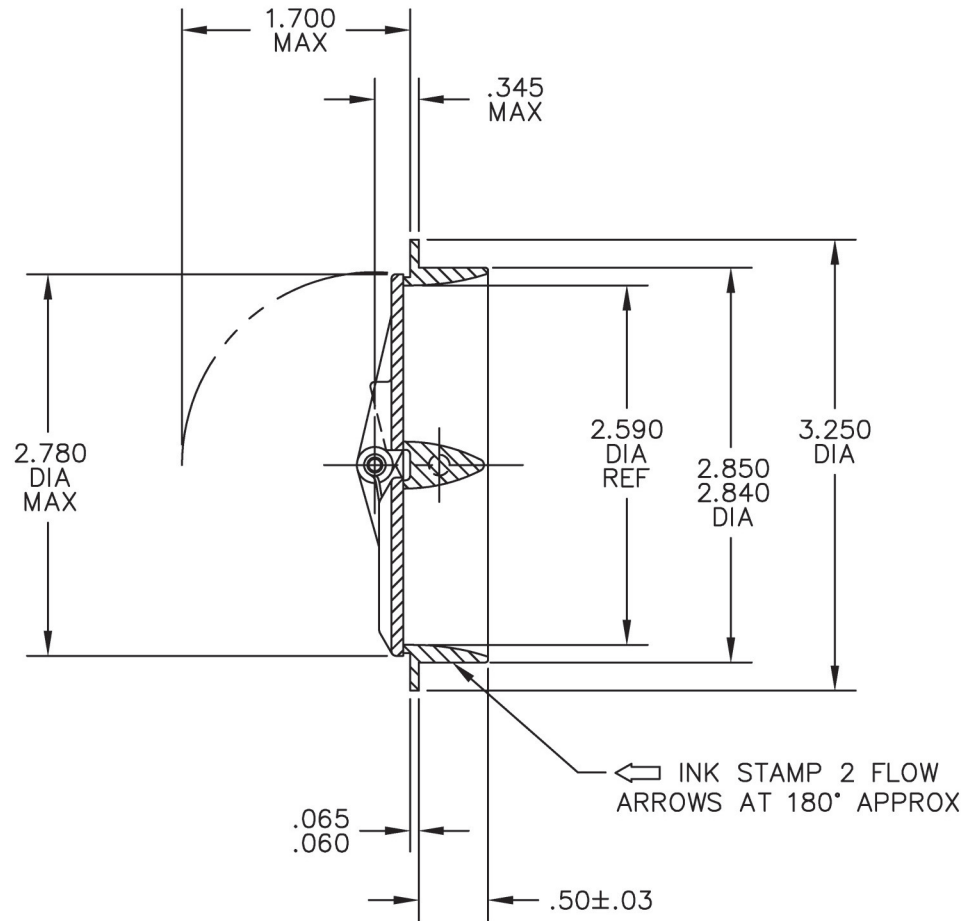
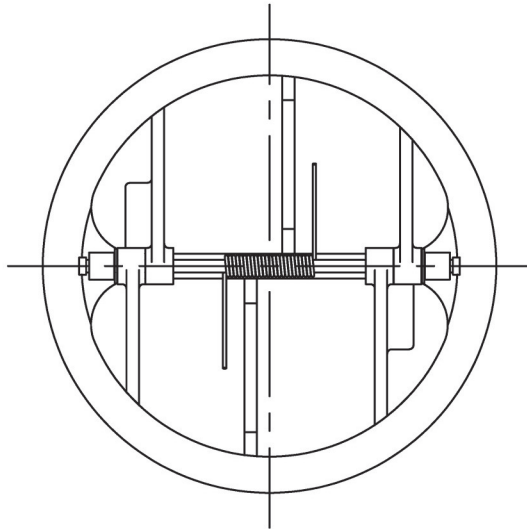
INTERNAL LEAKAGE: 0.2 LB/MIN MAX FROM 0 TO 8.7 PSIG

WEIGHT: 0.14 LBS MAX

CATEGORY 1: SPLIT FLAPPER CHECK VALVES



PART NUMBER: 2S2888, CHECK VALVE



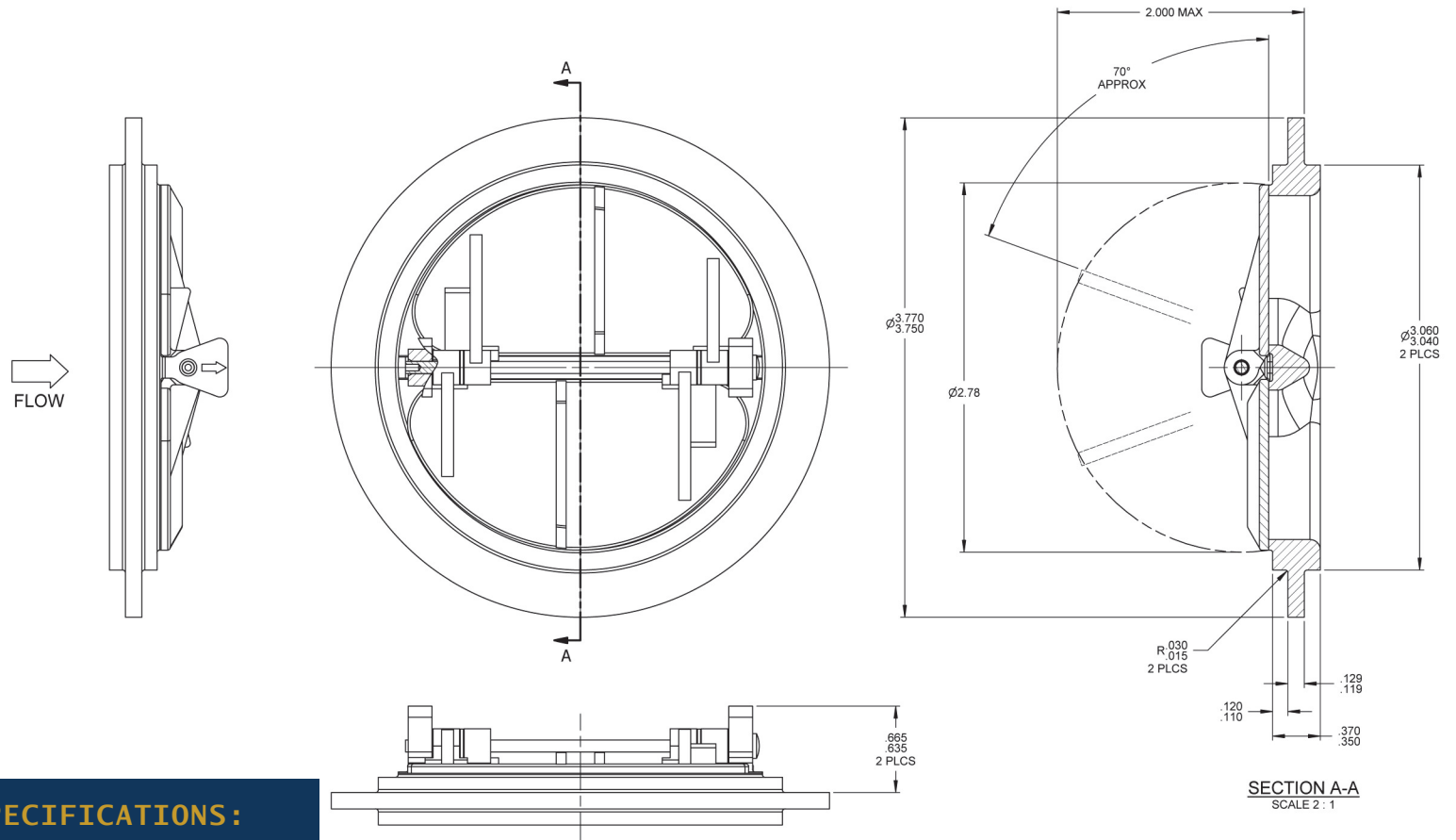
PERFORMANCE SPECIFICATIONS:

FLUIDS: AIR
MATERIAL: BODY A356-T6 AL
FLAPPER A356-T6 AL
TEMPERATURE RANGE: -65°F TO 160°F
OPERATING PRESSURE: 13 PSIG
PROOF PRESSURE: 37 PSIG
CRACKING PRESSURE: 2" H₂O MAX
FLOW: 15.5 LB/MIN AT 13 PSID MAX AND 0 PSIG OUTLET
INTERNAL LEAKAGE: .05 LB/MIN MAX AT 27 PSIG
WEIGHT: 0.17 LBS MAX

CATEGORY 1: SPLIT FLAPPER CHECK VALVES



PART NUMBER: 2S7368-1, CHECK VALVE



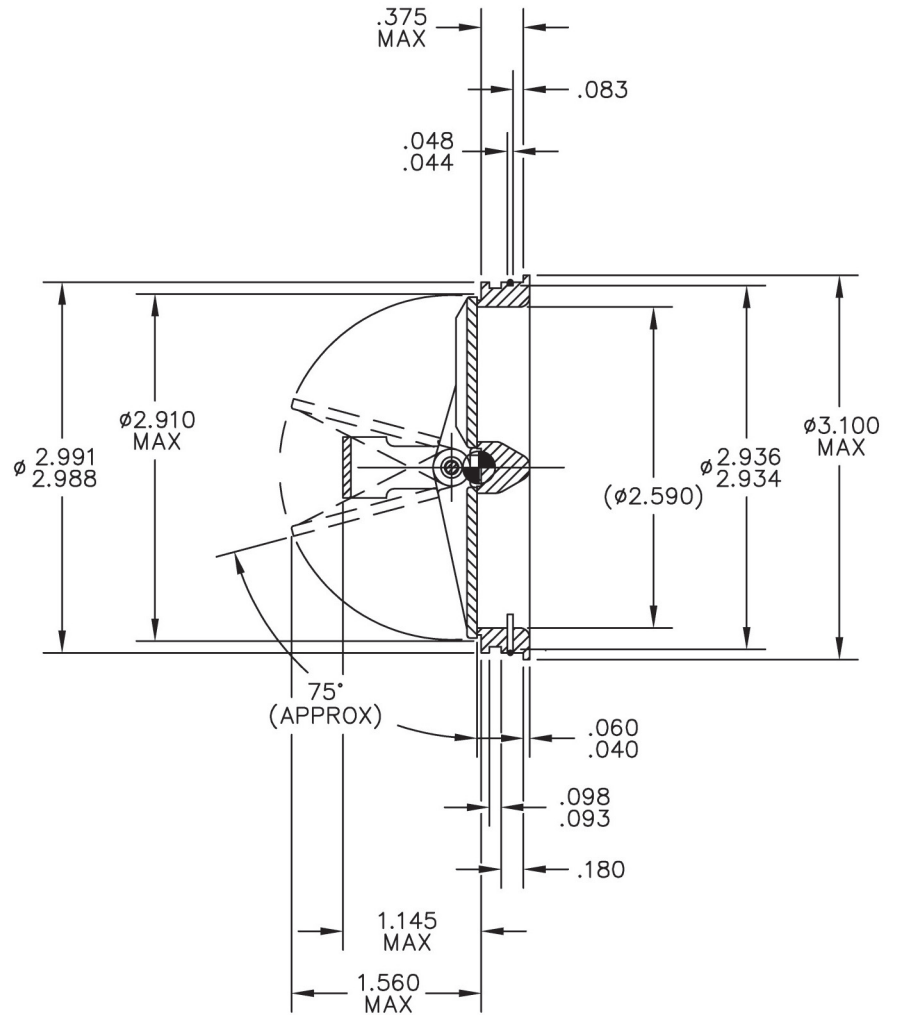
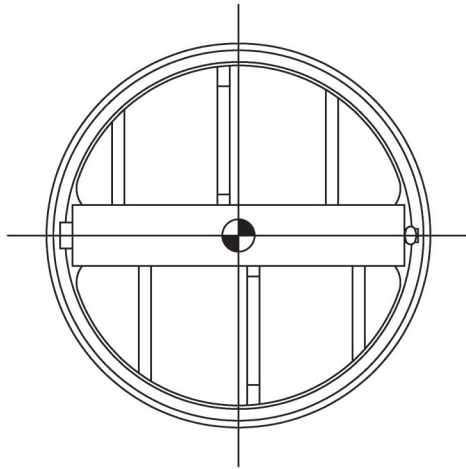
PERFORMANCE SPECIFICATIONS:

FLUIDS: BLEED AIR
MATERIAL: BODY 2024-T351 AL
FLAPPER A356-T6 AL
TEMPERATURE RANGE: -65°F TO 300°F
OPERATING PRESSURE: 10 PSIG
PROOF PRESSURE: 20 PSIG
FLOW: 25 LB/MIN AT 0.6 PSID MAX AT 10 PSIG INLET AND 300°F
INTERNAL LEAKAGE: 0.1 LB/MIN FROM NONE TO 10 PSID
WEIGHT: 0.23 LBS MAX

CATEGORY 1: SPLIT FLAPPER CHECK VALVES



PART NUMBER: 2S6510-1, CHECK VALVE



PERFORMANCE SPECIFICATIONS:

FLUIDS: AIR

MATERIAL: BODY 2024-T351 AL

FLAPPER A356-T6 AL

TEMPERATURE RANGE: -65°F TO 250°F

OPERATING PRESSURE: 2 PSIG

PROOF PRESSURE: 4 PSIG

CRACKING PRESSURE: 10.0" H₂O MAX

FLOW: 10 LB/MIN AT 3.0" H₂O MAX PSID AT 14.7 PSIA INLET AND 70°F

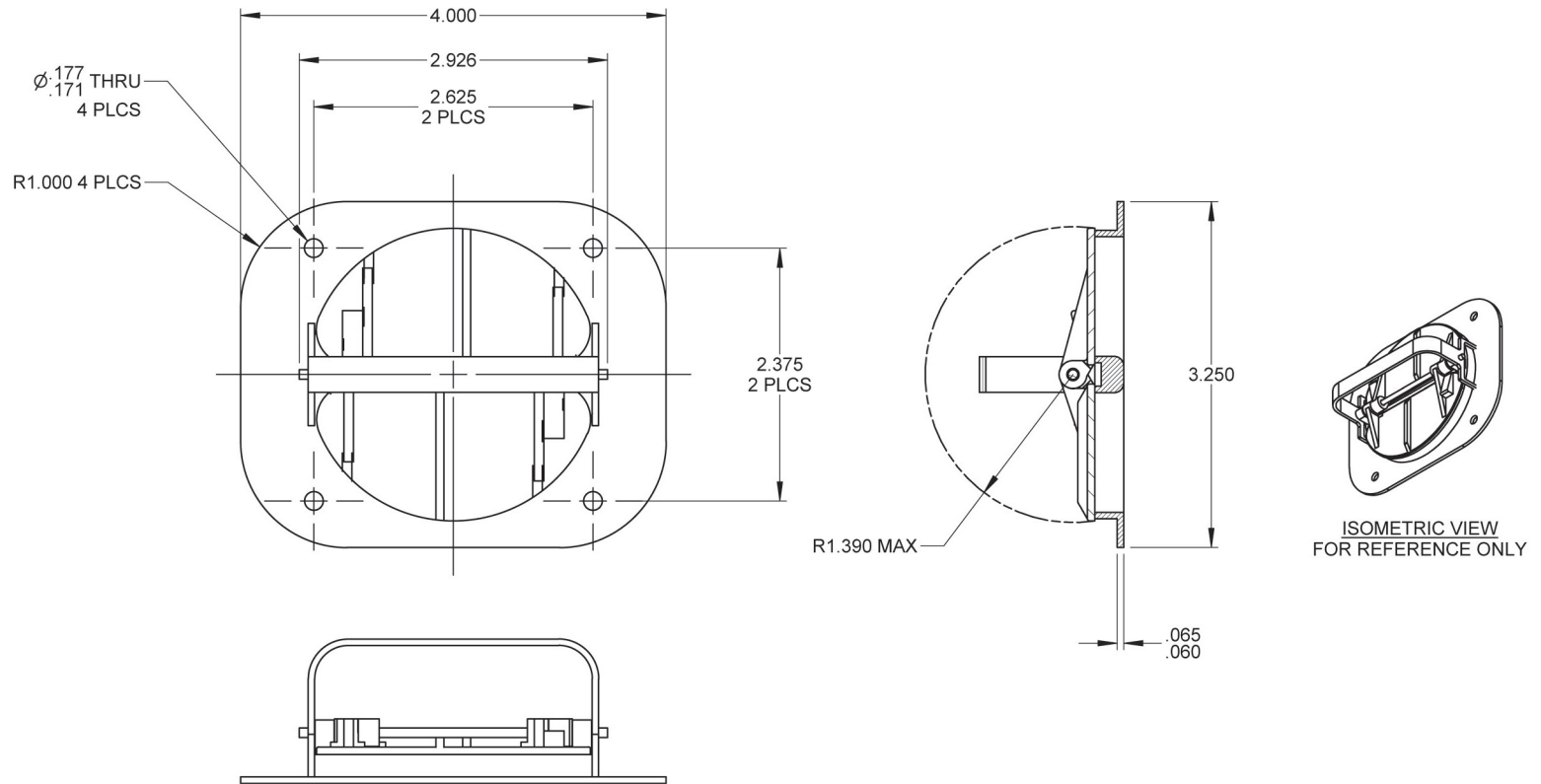
INTERNAL LEAKAGE: 15,000 CC/MIN MAX AT 2" H₂O AND 70°F

WEIGHT: 0.23 LBS MAX

CATEGORY 1: SPLIT FLAPPER CHECK VALVES



PART NUMBER: 2S7250, CHECK VALVE



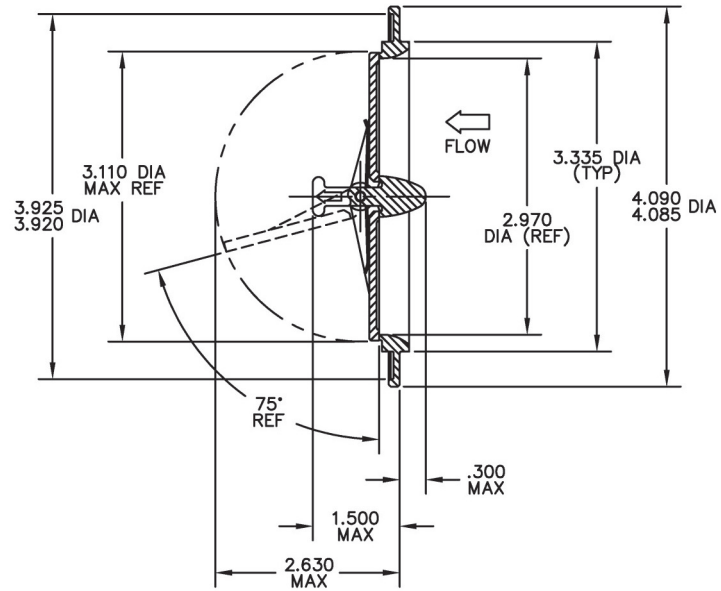
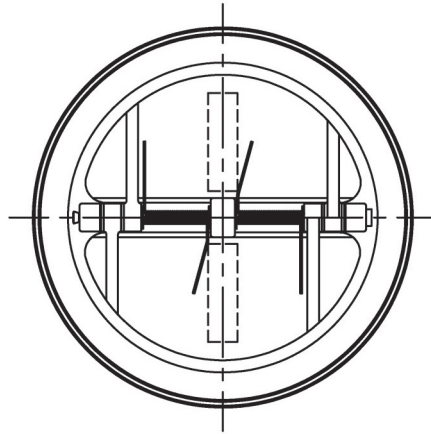
PERFORMANCE SPECIFICATIONS:

FLUIDS: AIR
MATERIAL: BODY A356-T6 AL
FLAPPER A356-T6 AL
TEMPERATURE RANGE: 5°F TO 158°F
OPERATING PRESSURE: 0.290 PSIG
PROOF PRESSURE: 0.435 PSIG
CRACKING PRESSURE: 0.007 PSIG MAX
FLOW: 105.9 CFM AT 0.007 PSIG MAX
INTERNAL LEAKAGE: 3 g/S MAX AT 0.290 PSIG
WEIGHT: 0.29 LBS MAX

CATEGORY 1: SPLIT FLAPPER CHECK VALVES

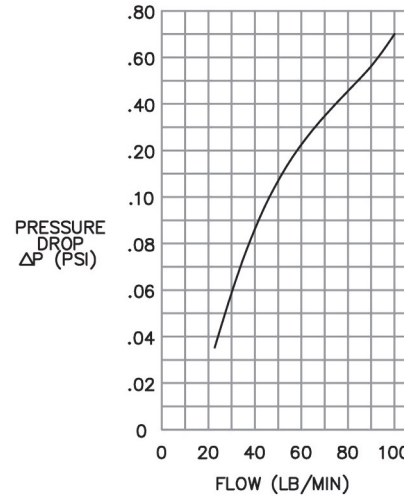


PART NUMBER: 2S6092-1, CHECK VALVE



PERFORMANCE SPECIFICATIONS:

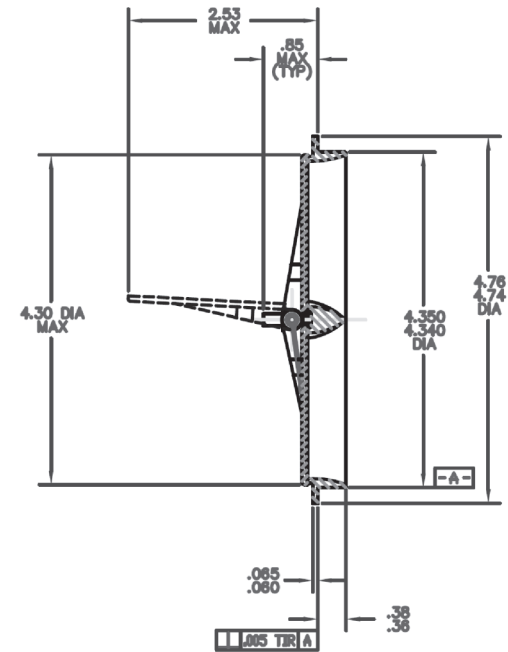
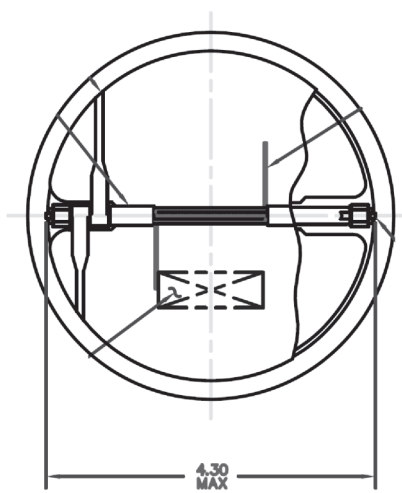
FLUIDS: AIR
MATERIAL: BODY A356-T6 AL
FLAPPER A356-T6 AL
TEMPERATURE RANGE: -81°F TO 190°F
OPERATING PRESSURE: 12 TO 30 PSIA
PROOF PRESSURE: 16.5 PSIG
CRACKING PRESSURE: 2" H₂O MAX
FLOW: SEE CHART
INTERNAL LEAKAGE: 0.064 LB/MIN AT 9 PSIG
WEIGHT: 0.58 LBS MAX



CATEGORY 1: SPLIT FLAPPER CHECK VALVES



PART NUMBER: 2S2208, CHECK VALVE



PERFORMANCE SPECIFICATIONS:

FLUIDS: AIR

MATERIAL: BODY 356-T6 AL

FLAPPER 17-4PH CRES

TEMPERATURE RANGE: -65°F TO 200°F

OPERATING PRESSURE: 0 TO 15 PSIG

PROOF PRESSURE: 30 PSIG

CRACKING PRESSURE: 2" H₂O MAX

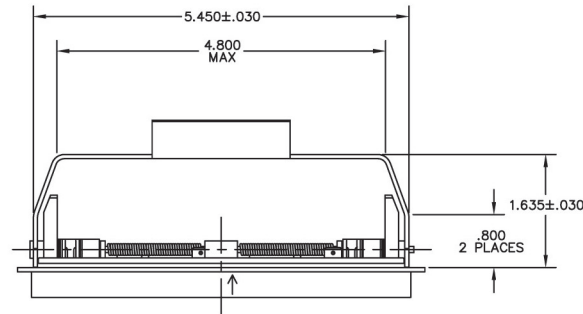
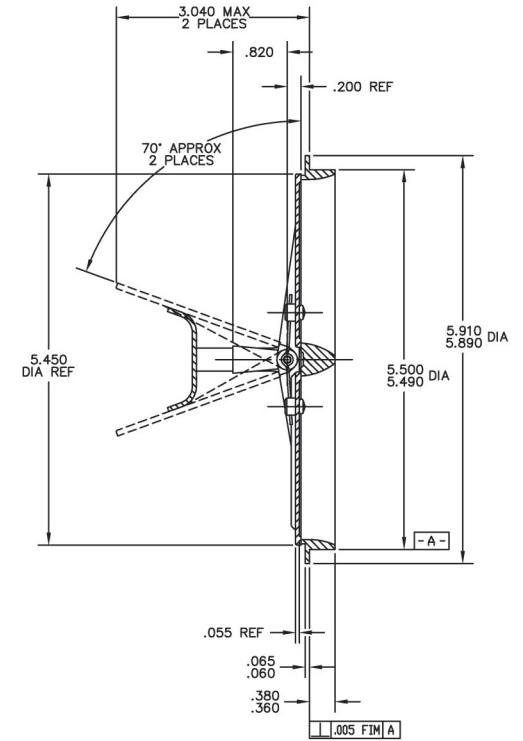
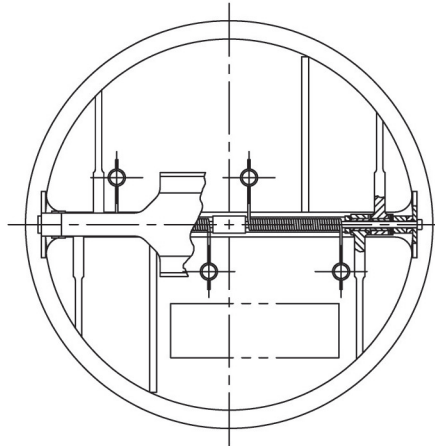
INTERNAL LEAKAGE: 0.10 LB/MIN AT 7.5 PSIG MAX

WEIGHT: 0.45 LBS MAX

CATEGORY 1: SPLIT FLAPPER CHECK VALVES



PART NUMBER: 2S6258-2, CHECK VALVE



PERFORMANCE SPECIFICATIONS:

FLUIDS: AIR

MATERIAL: BODY A356-T6 AL

FLAPPER A356-T6 AL

TEMPERATURE RANGE: -60°F TO 160°F

OPERATING PRESSURE: 0 TO 11 PSIG

PROOF PRESSURE: 15 PSIG

CRACKING PRESSURE: 0.5 PSIG MAX

FLOW: 320 LB/MIN MAX AT 15 PSIA INLET AND 0 PSIA OUTLET AT 70°F

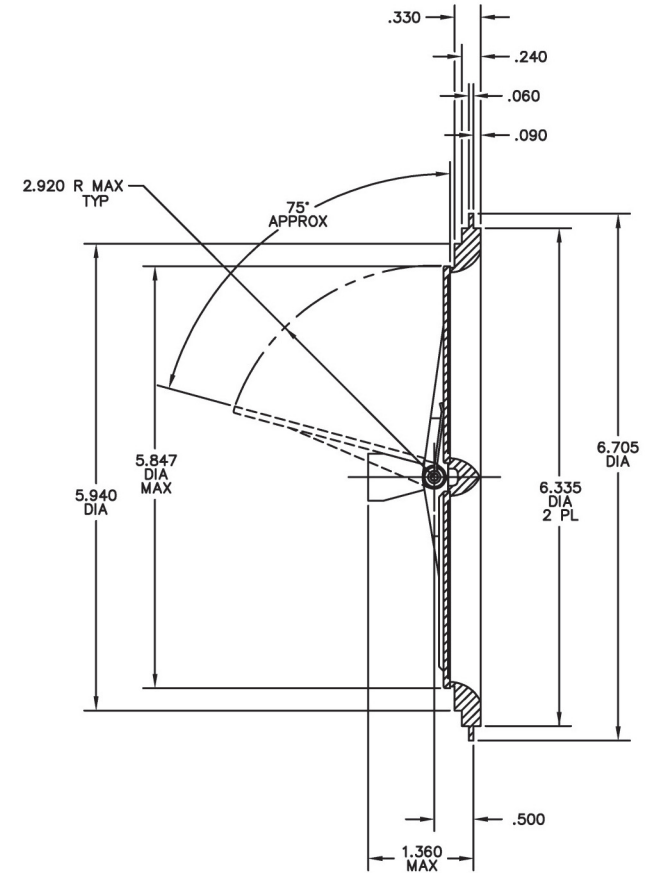
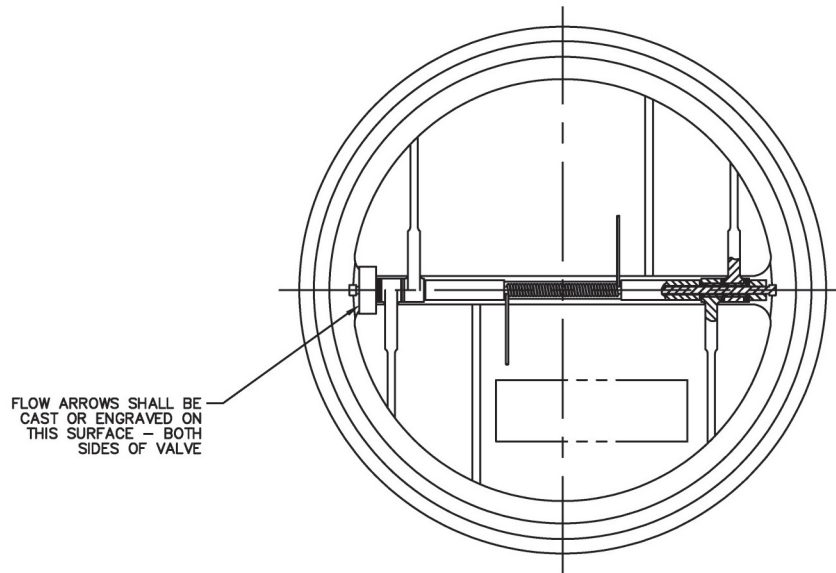
INTERNAL LEAKAGE: 0.13 LB/MIN FROM 0 TO 9.75 PSIG

WEIGHT: 0.63 LBS MAX

CATEGORY 1: SPLIT FLAPPER CHECK VALVES



PART NUMBER: 2S6334, CHECK VALVE



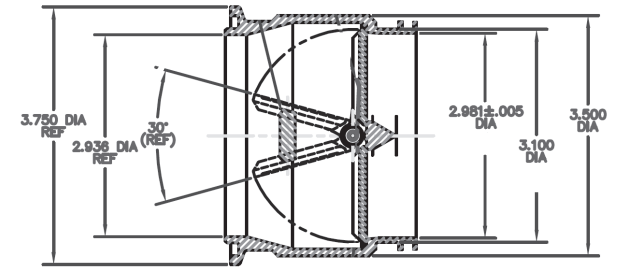
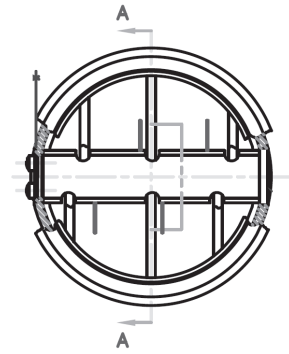
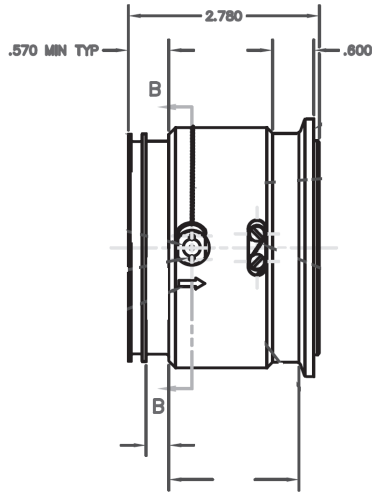
PERFORMANCE SPECIFICATIONS:

FLUIDS: AIR
MATERIAL: BODY A356-T6 AL
FLAPPER A356-T6 AL
TEMPERATURE RANGE: -65°F TO 165°F
OPERATING PRESSURE: 9.32 PSIG
PROOF PRESSURE: 13.98 PSIG
CRACKING PRESSURE: 0.5" H₂O MAX
FLOW: 90 LB/MIN MINIMUM AT 1.7" H₂O ΔP AT 15.77 PSIA INLET AND 77°F
INTERNAL LEAKAGE: 0.15 LB/MIN MAX AT 7 PSIG AND 70°F
WEIGHT: 0.65 LBS MAX

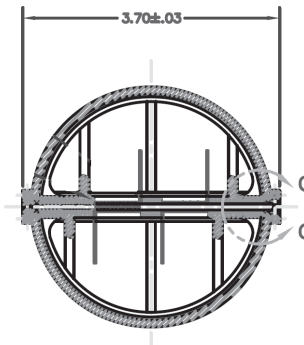
CATEGORY 1: SPLIT FLAPPER CHECK VALVES



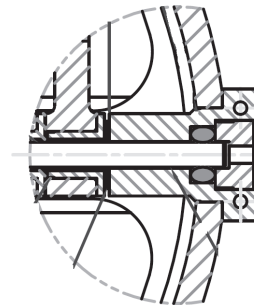
PART NUMBER: 2S2698-7, CHECK VALVE



SECTION A-A
SCALE: 1/1



SECTION B-B
SCALE: 1/1



DETAIL C-C
SCALE: 4/1

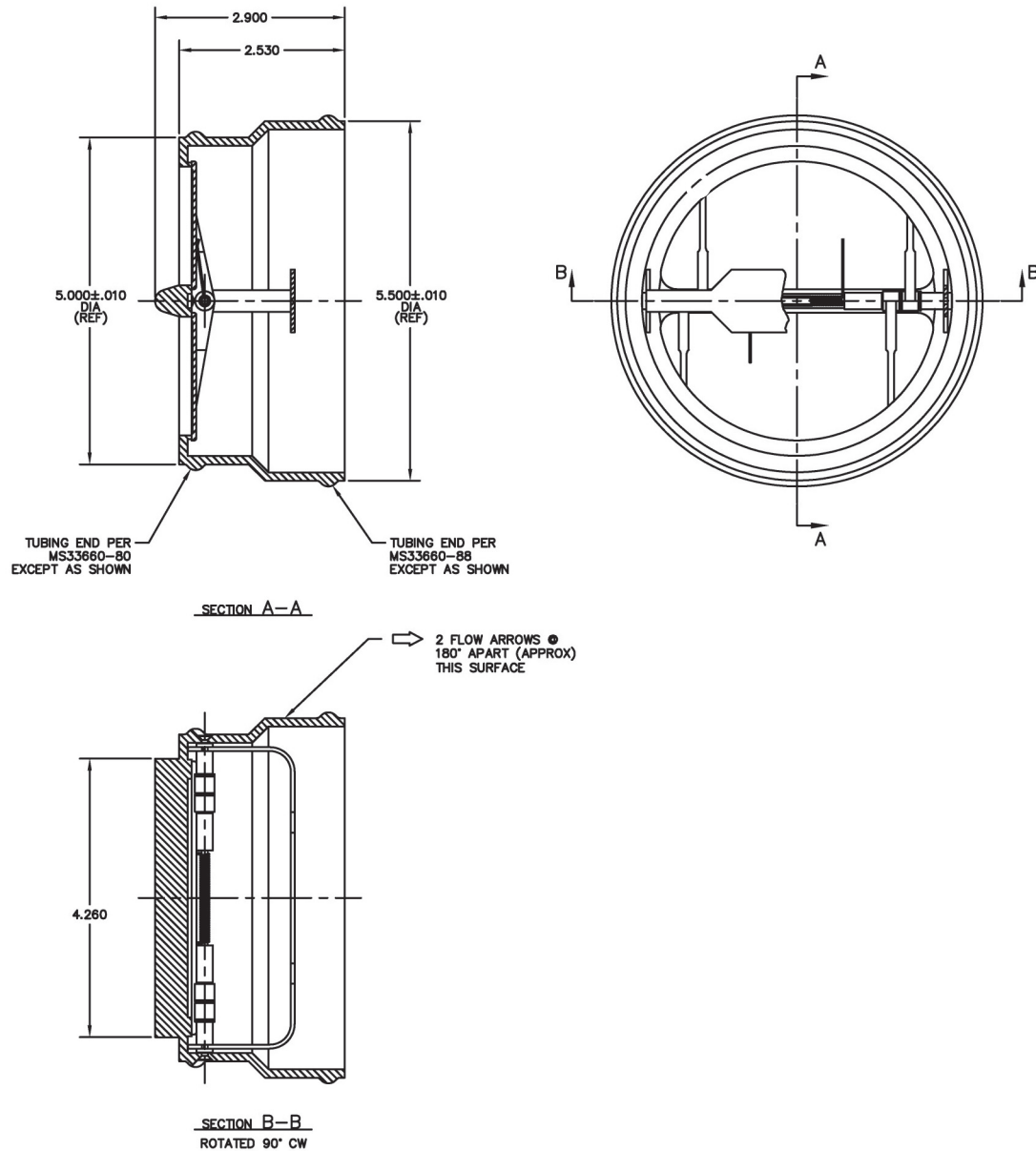
PERFORMANCE SPECIFICATIONS:

FLUIDS: AIR
MATERIAL: BODY A356-T6 AL
TEMPERATURE RANGE: -65°F TO +240°F
OPERATING PRESSURE: 15.2 PSIG AT 40°F
PROOF PRESSURE: 20 PSIG
PRESSURE DROP: 0.065 PSID MAX AT 15.2 PSIA INLET AT 40°F AND FLOW OF 21.5 LB/MIN
INTERNAL LEAKAGE: 0.2 LB/MIN MAX AT 1.0 PSIG CHECKED DIRECTION
WEIGHT: 0.60 LBS MAX

CATEGORY 1: SPLIT FLAPPER CHECK VALVES



PART NUMBER: 2S6298, CHECK VALVE



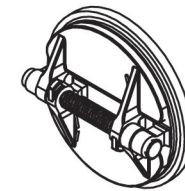
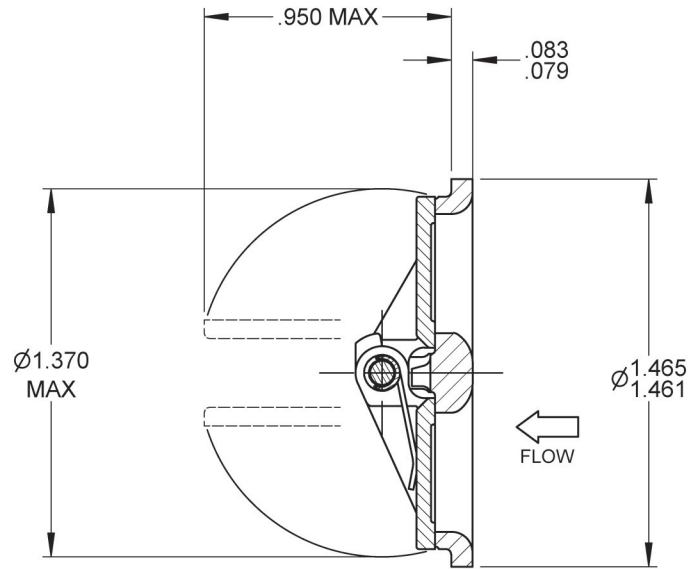
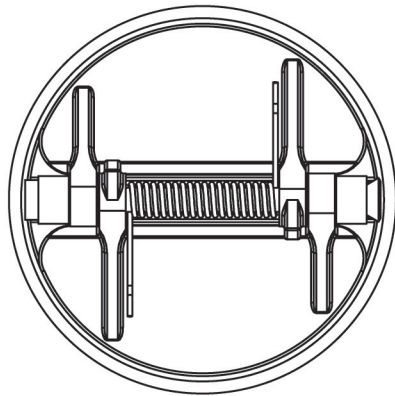
PERFORMANCE SPECIFICATIONS:

FLUIDS: AIR
MATERIAL: BODY A356-T6 AL
FLAPPER A356-T6 AL
TEMPERATURE RANGE: -60°F TO 185°F
OPERATING PRESSURE: 1 PSIG
PROOF PRESSURE: 1 PSIG
CRACKING PRESSURE: 2" H₂O MAX
FLOW: 550 SCFM MINIMUM AT 2" H₂O MAX ΔP AND 1 PSIG INLET
INTERNAL LEAKAGE: 0.05 LB/MIN MAX AT 1.0 PSID
WEIGHT: 1.01 LBS (ESTIMATED)

CATEGORY 1: SPLIT FLAPPER CHECK VALVES



PART NUMBER: 2S7354, CHECK VALVE



ISOMETRIC VIEW
FOR REFERENCE ONLY

PERFORMANCE SPECIFICATIONS:

FLUIDS: TURBO OIL PER MIL-PRF-7808, MIL-PRF-23699 AND AIR

MATERIAL: BODY 17-4PH CRES

FLAPPER 17-4PH CRES

TEMPERATURE RANGE: -67°F TO 400°F

OPERATING PRESSURE: 120 PSIG

PROOF PRESSURE: 180 PSIG

CRACKING PRESSURE: 0.1 PSIG MAX

FLOW: 3.0 GPM AT 2.5" H₂O MAX ΔP

20 GPM AT 1.0 PSID MAX ΔP

INTERNAL LEAKAGE: 0.5 SCFM MAX AT 6" H₂O

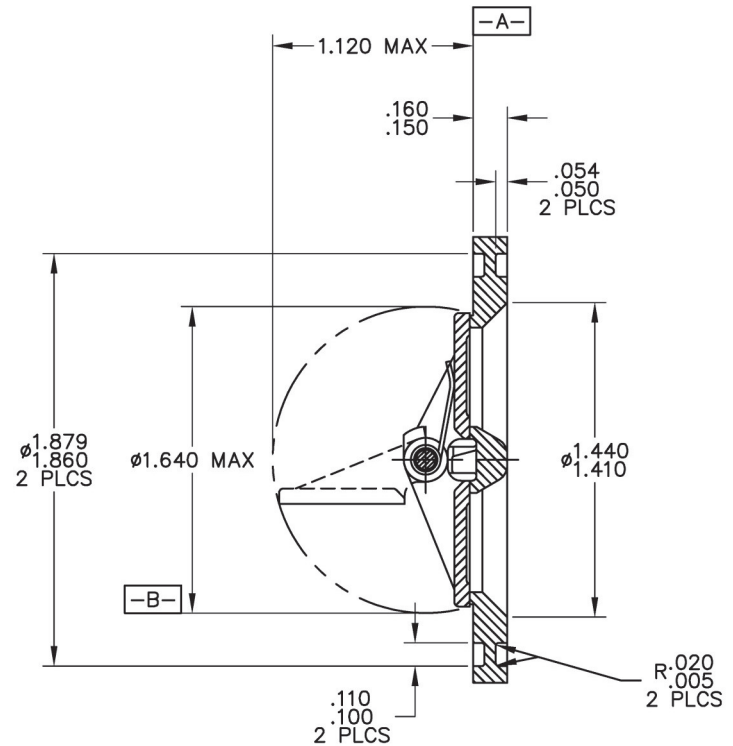
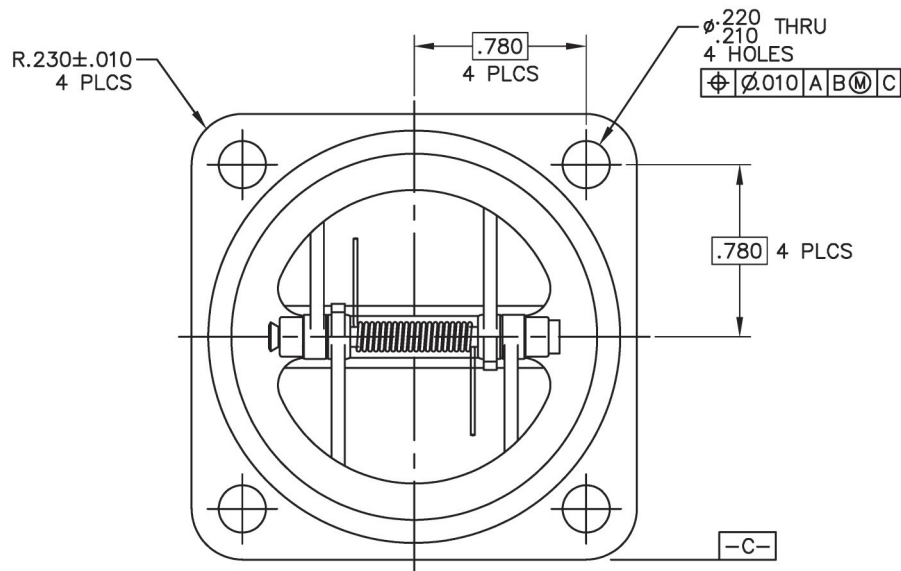
5.0 SCFM MAX AT 45 PSIG

WEIGHT: 0.067 LBS MAX

CATEGORY 1: SPLIT FLAPPER CHECK VALVES



PART NUMBER: 2S6518, CHECK VALVE



PERFORMANCE SPECIFICATIONS:

FLUIDS: AIR

MATERIAL: BODY 347 CRES

FLAPPER 17-4PH CRES

TEMPERATURE RANGE: -65°F TO 500°F

OPERATING PRESSURE: 50 PSIG

PROOF PRESSURE: 110 PSIG

CRACKING PRESSURE: 3" H₂O MAX

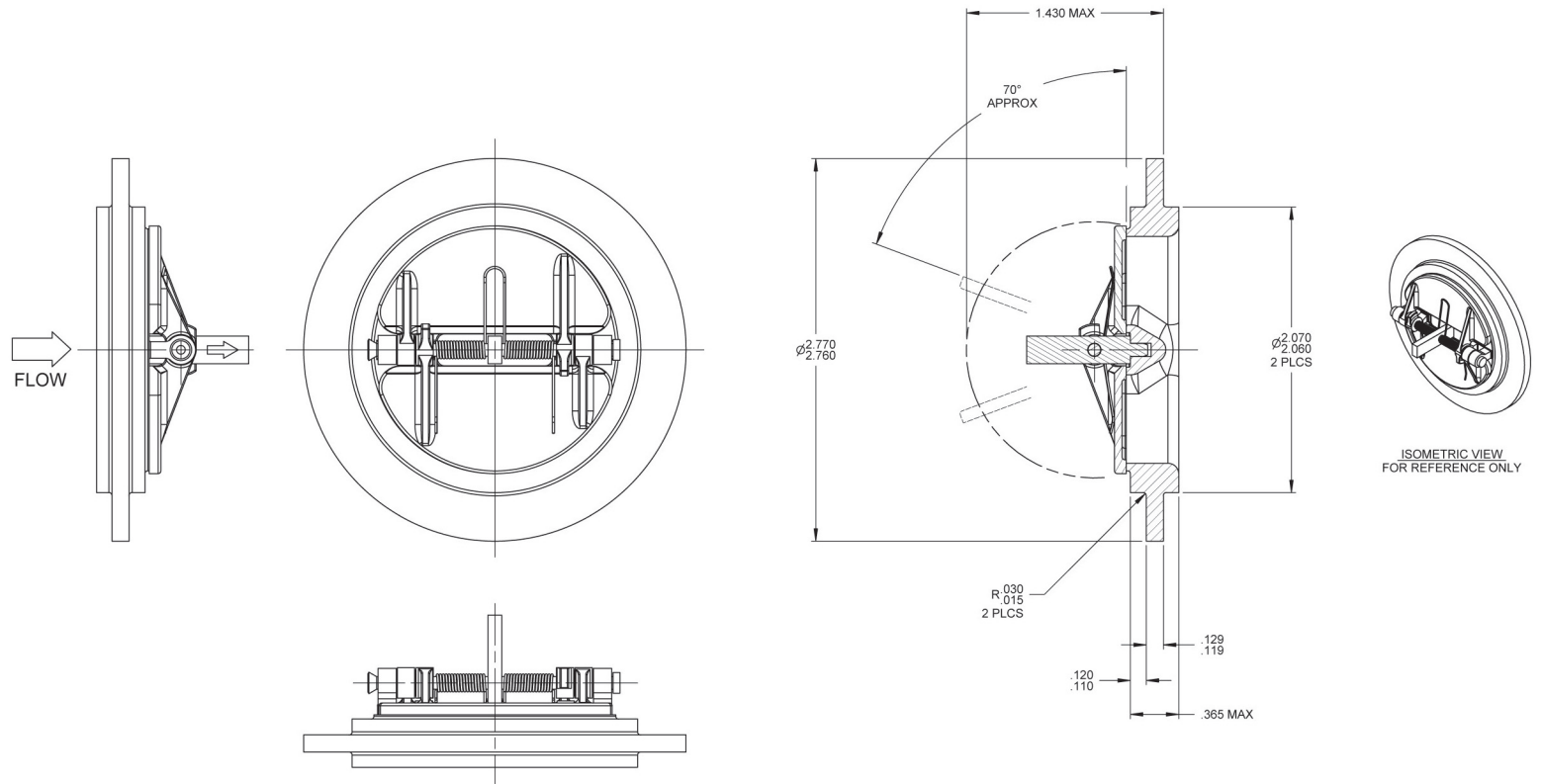
INTERNAL LEAKAGE: 0.1 LB/MIN MAX AT 50 PSIG AND 500°F

WEIGHT: 0.15 LBS MAX

CATEGORY 1: SPLIT FLAPPER CHECK VALVES



PART NUMBER: 2S7358, CHECK VALVE



PERFORMANCE SPECIFICATIONS:

FLUIDS: BLEED AIR

MATERIAL: BODY 17-4PH CRES

FLAPPER 17-4PH CRES

TEMPERATURE RANGE: -65°F TO 300°F

OPERATING PRESSURE: 10 PSIG

PROOF PRESSURE: 20 PSIG

CRACKING PRESSURE: 6" H₂O MAX

FLOW: 15 LB/MIN AT 1.5 PSIG MAX AND 300°F

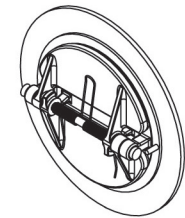
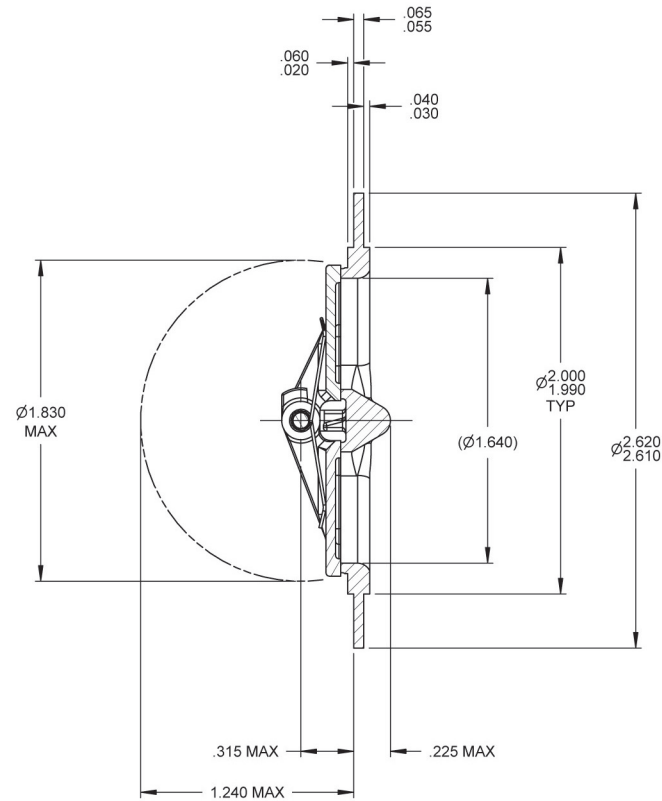
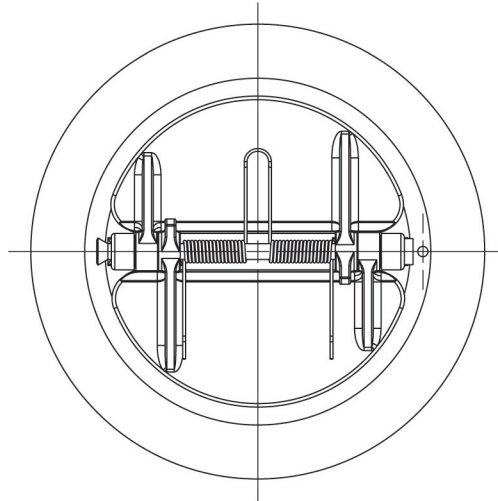
INTERNAL LEAKAGE: 0.1 LB/MIN MAX FROM 0 TO 10 PSIG AT 80°F

WEIGHT: 0.33 LBS MAX

CATEGORY 1: SPLIT FLAPPER CHECK VALVES



PART NUMBER: 2S2890-1, CHECK VALVE



ISOMETRIC VIEW
FOR REFERENCE ONLY

PERFORMANCE SPECIFICATIONS:

FLUIDS: AIR

MATERIAL: BODY 17-4PH CRES

FLAPPER 17-4PH CRES

TEMPERATURE RANGE: -65°F TO 700°F

OPERATING PRESSURE: 64 PSIG

PROOF PRESSURE: 220 PSIG

CRACKING PRESSURE: 0.15 PSIG MAX

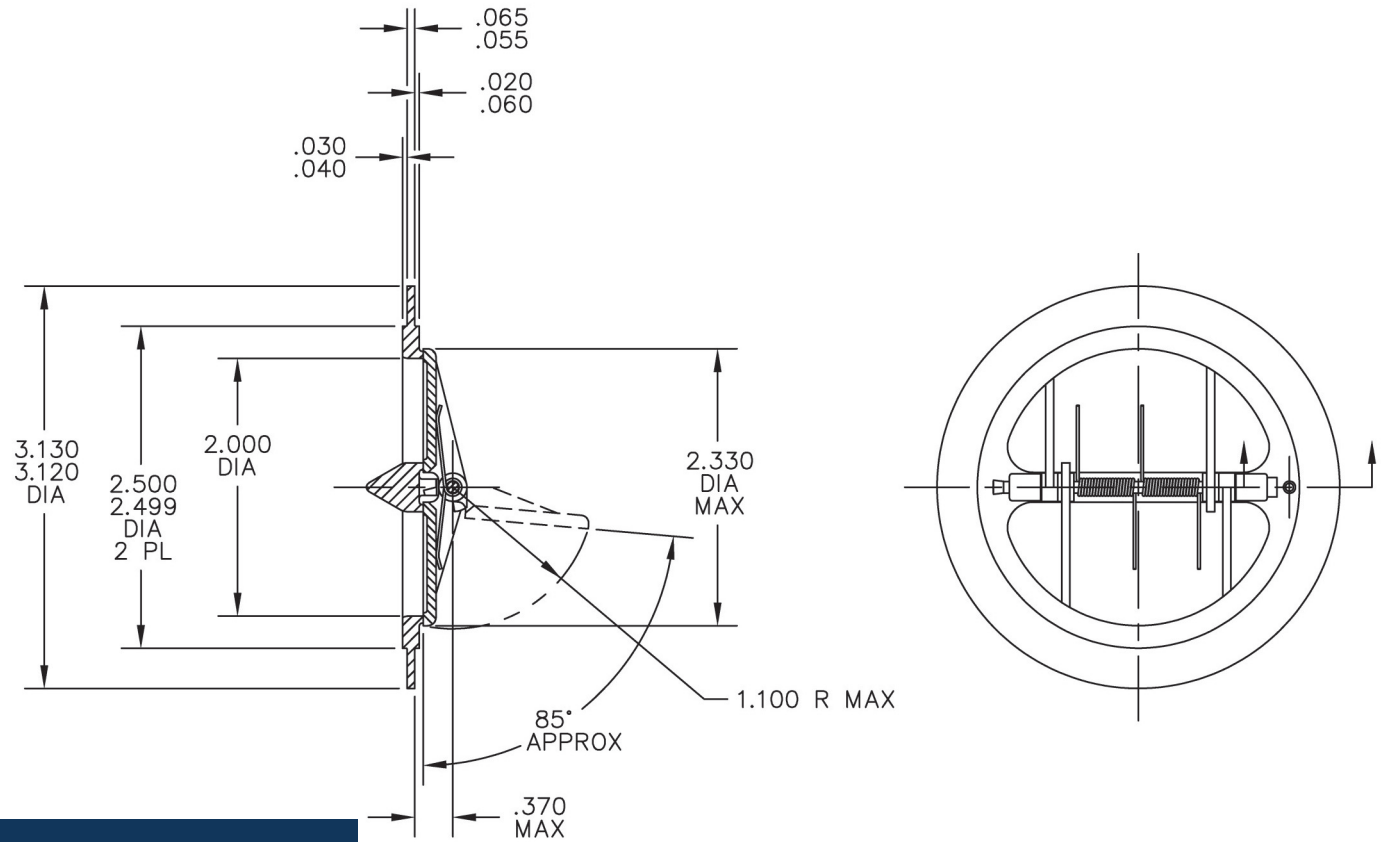
INTERNAL LEAKAGE: 0.11 LB/MIN MAX AT 50 PSIG AND 75°F

WEIGHT: 0.38 LBS MAX

CATEGORY 1: SPLIT FLAPPER CHECK VALVES



PART NUMBER: 2S6332, CHECK VALVE



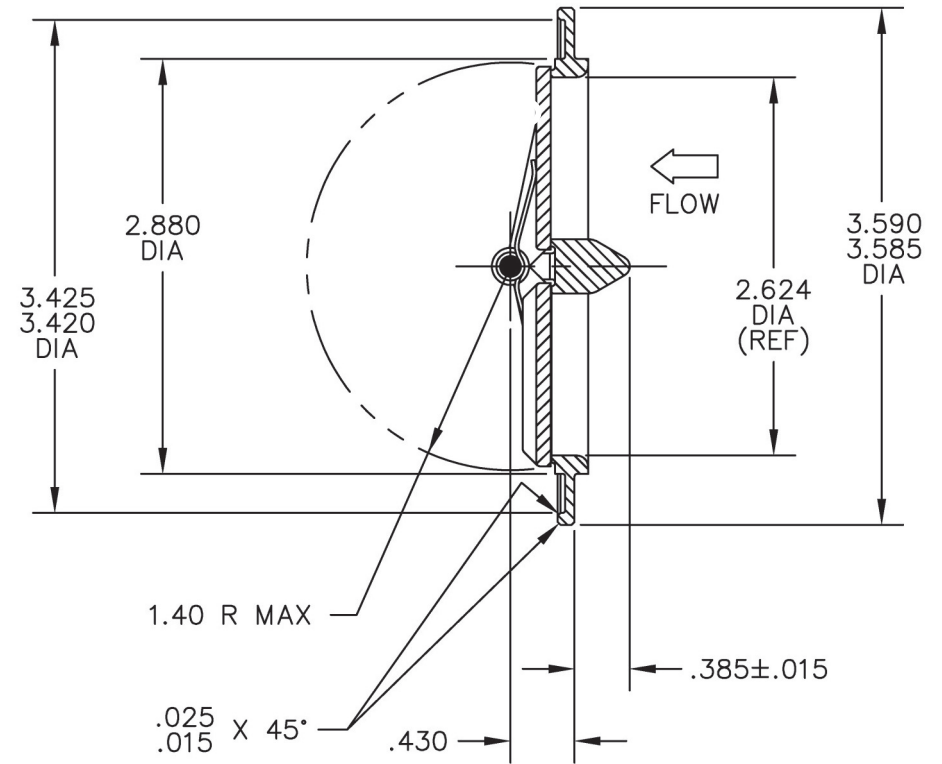
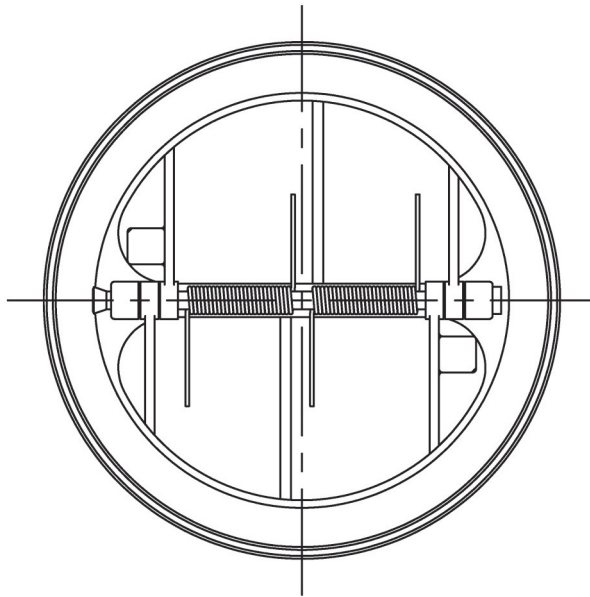
PERFORMANCE SPECIFICATIONS:

FLUIDS: AIR
MATERIAL: BODY 17-4PH CRES
FLAPPER 17-4PH CRES
TEMPERATURE RANGE: -65°F TO 540°F
OPERATING PRESSURE: 47 PSIG
PROOF PRESSURE: 70.5 PSIG
CRACKING PRESSURE: 0.15 PSIG MAX
FLOW: 59 LB/MIN AT 33" H₂O MAX ΔP WITH INLET PRESSURE OF 52 PSIA AND 540°F
INTERNAL LEAKAGE: 0.15 LB/MIN MAX AT 47 PSIG AND 540°F
WEIGHT: 0.35 LBS MAX

CATEGORY 1: SPLIT FLAPPER CHECK VALVES



PART NUMBER: 2S2940, CHECK VALVE



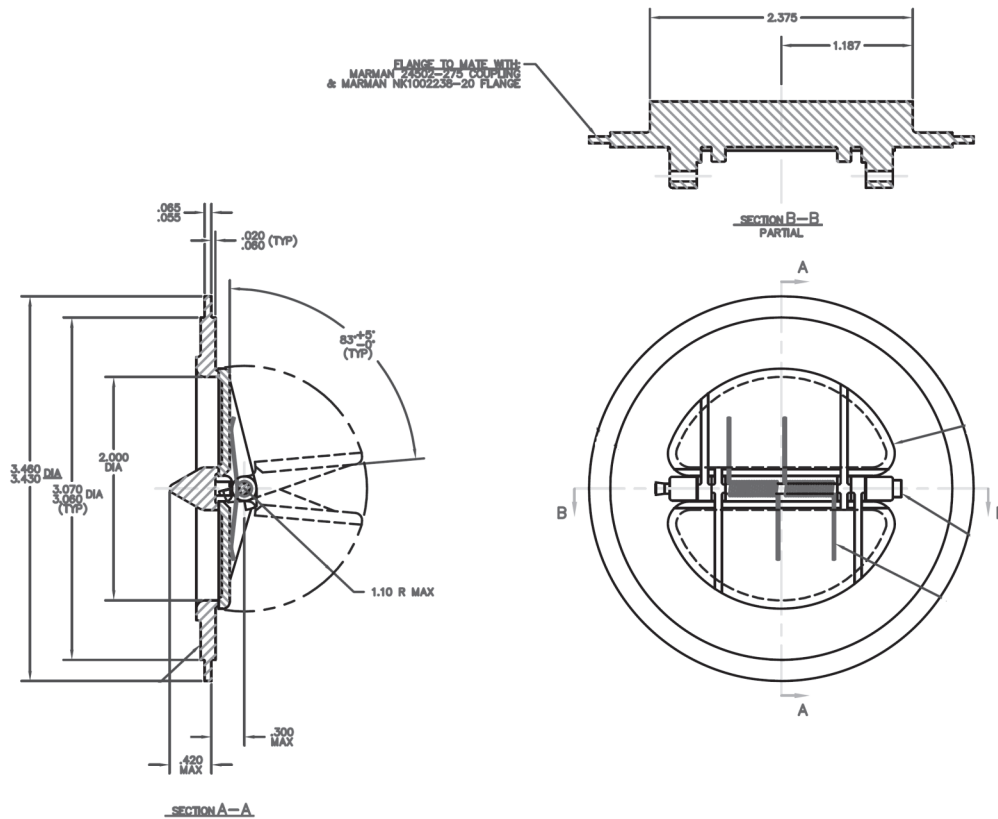
PERFORMANCE SPECIFICATIONS:

FLUIDS: AIR
MATERIAL: BODY 17-4PH CRES
FLAPPER 347 CRES
TEMPERATURE RANGE: -65°F TO 700°F
OPERATING PRESSURE: 180 PSIG
PROOF PRESSURE: 345.3 PSIG
CRACKING PRESSURE: 0.2 PSIG MAX
FLOW: 125 LB/MIN AT 1 PSID MAX AT 180 PSIA INLET AND 470°F
INTERNAL LEAKAGE: 0.1 LB/MIN MAX AT 180 PSIG
WEIGHT: 0.53 LBS MAX

CATEGORY 1: SPLIT FLAPPER CHECK VALVES



PART NUMBER: 2S2536, CHECK VALVE



PERFORMANCE SPECIFICATIONS:

FLUIDS: ENGINE BLEED AIR

MATERIAL: BODY 17-4PH CRES

FLAPPER 17-4PH CRES

TEMPERATURE RANGE: -65°F TO 660°F

OPERATING PRESSURE: 120 PSIG

PROOF PRESSURE: 180 PSIG

CRACKING PRESSURE: 2" H₂O MAX

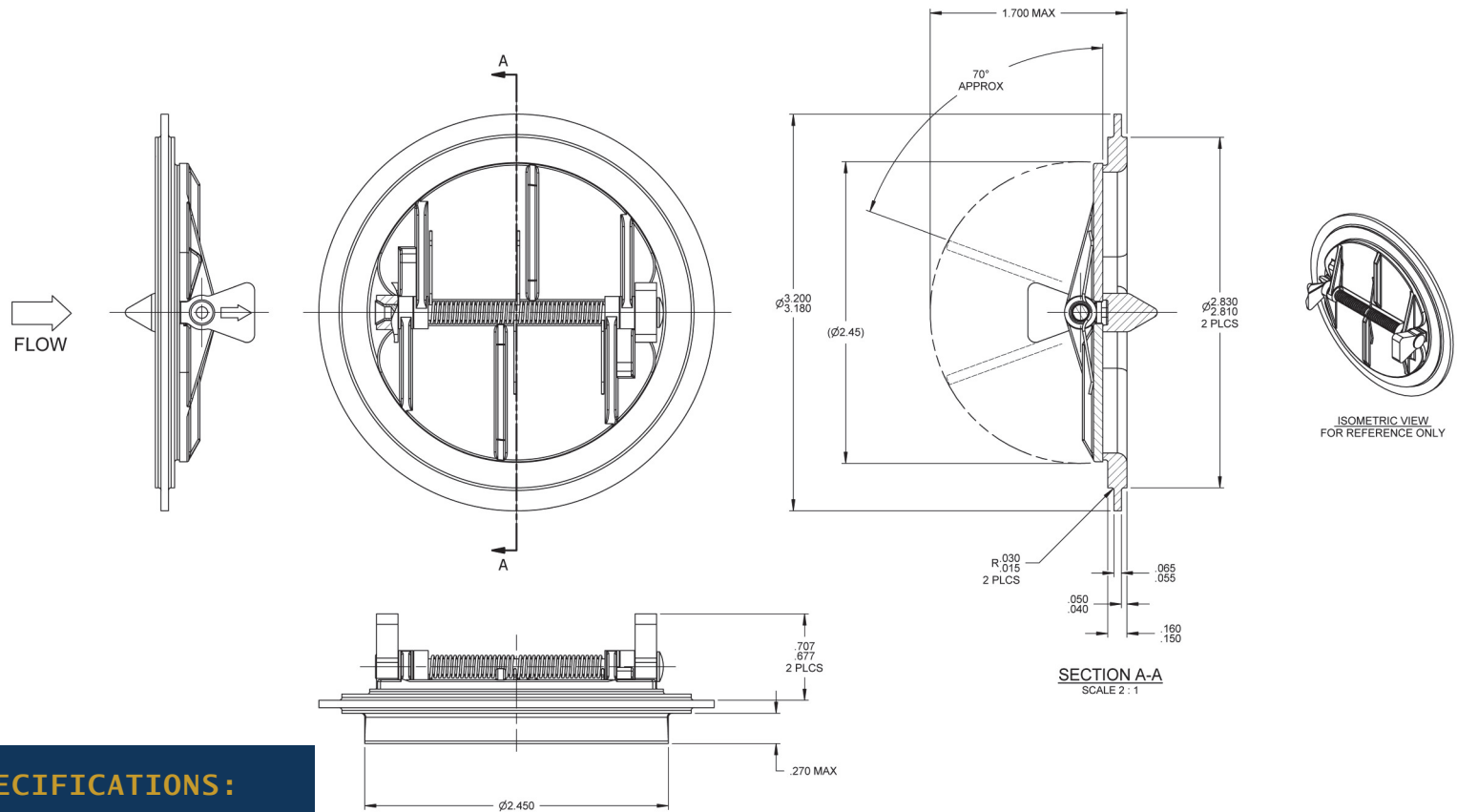
INTERNAL LEAKAGE: 0.40 LB/MIN MAX AT 170 PSIG AND 580°F

WEIGHT: 0.40 LBS MAX

CATEGORY 1: SPLIT FLAPPER CHECK VALVES



PART NUMBER: 2S7356-1, CHECK VALVE



PERFORMANCE SPECIFICATIONS:

FLUIDS: BLEED AIR

MATERIAL: BODY 17-4PH CRES

FLAPPER 347 CRES

TEMPERATURE RANGE: -65°F TO 550°F

OPERATING PRESSURE: 95 PSIG

PROOF PRESSURE: 100 PSIG

CRACKING PRESSURE: 6" H₂O MAX

FLOW: 100 LB/MIN AT 7 PSID MAX AT 50 PSIG INLET AND 550°F

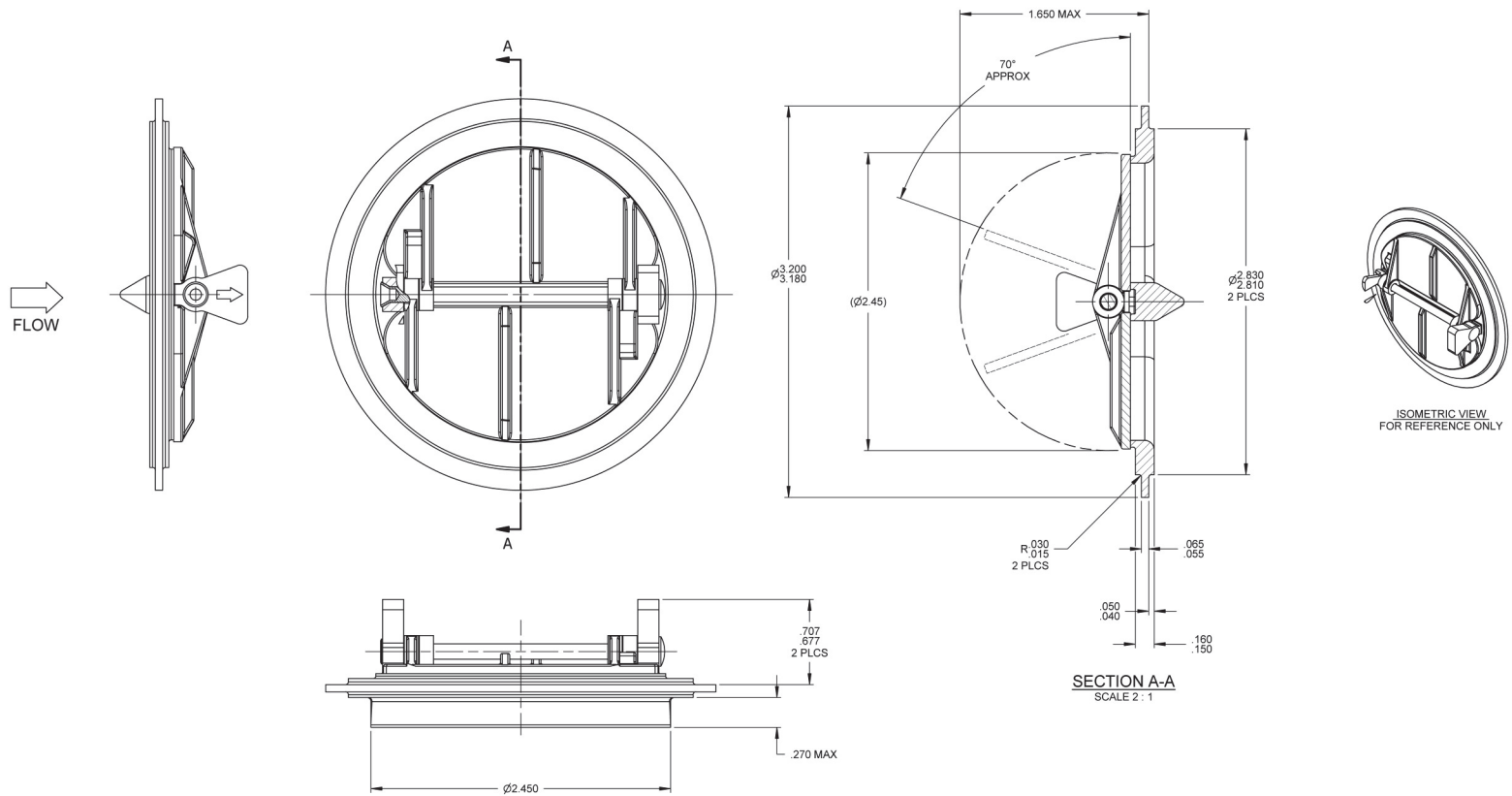
INTERNAL LEAKAGE: 0.30 LB/MIN MAX FROM O TO 95 PSID

WEIGHT: 0.35 LBS MAX

CATEGORY 1: SPLIT FLAPPER CHECK VALVES



PART NUMBER: 2S7370-1, CHECK VALVE



PERFORMANCE SPECIFICATIONS:

FLUIDS: BLEED AIR

MATERIAL: BODY 17-4PH CRES

FLAPPER 347 CRES

TEMPERATURE RANGE: -65°F TO 550°F

OPERATING PRESSURE: 95 PSIG

PROOF PRESSURE: 100 PSIG

FLOW: 100 LB/MIN AT 7 PSID MAX AT 50 PSIG INLET AND 550°F

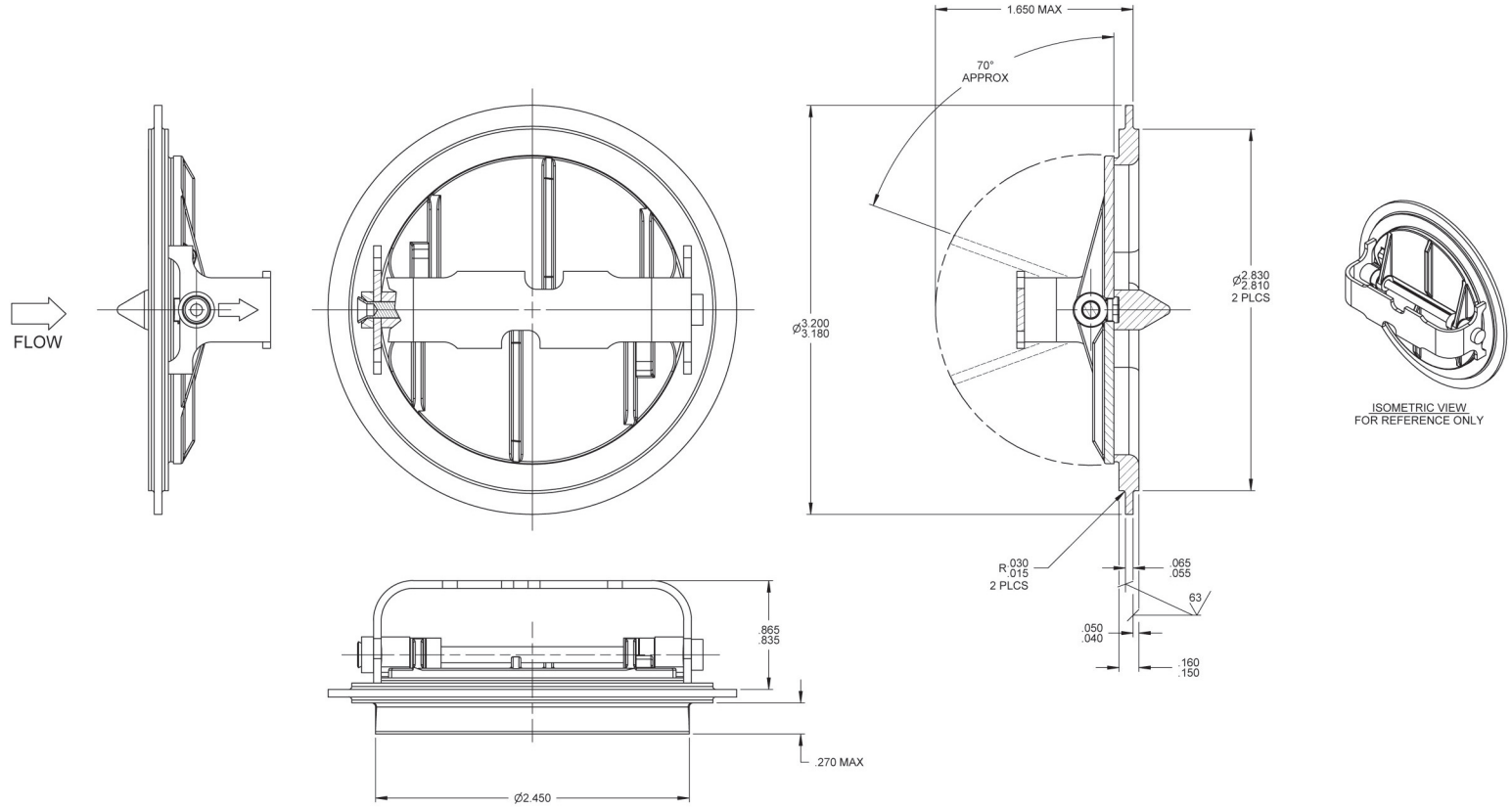
INTERNAL LEAKAGE: 0.1 LB/MIN MAX FROM 0 TO 10 PSIG AT 80°F

WEIGHT: 0.35 LBS MAX

CATEGORY 1: SPLIT FLAPPER CHECK VALVES



PART NUMBER: 2S7370, CHECK VALVE



PERFORMANCE SPECIFICATIONS:

FLUIDS: BLEED AIR

MATERIAL: BODY 17-4PH CRES

FLAPPER 347 CRES

TEMPERATURE RANGE: -65°F TO 550°F

OPERATING PRESSURE: 95 PSIG

PROOF PRESSURE: 100 PSIG

FLOW: 100 LB/MIN AT 7 PSID MAX AT 50 PSIG INLET AND 550°F

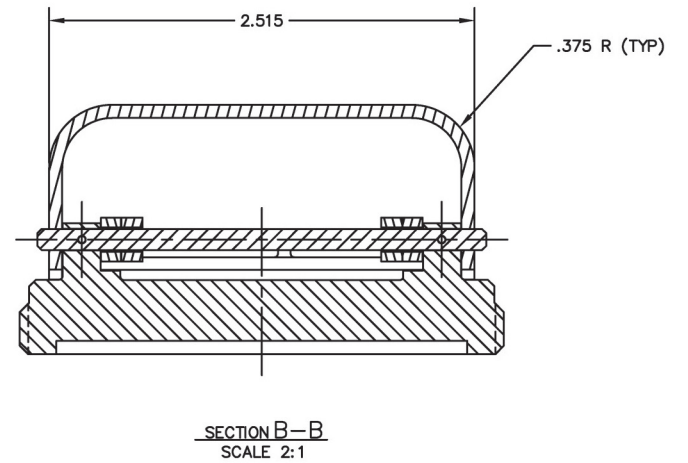
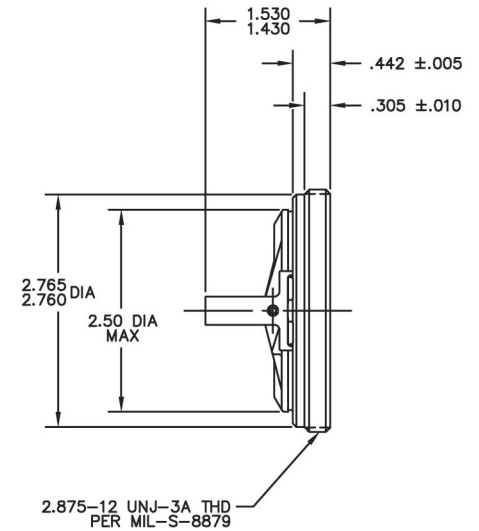
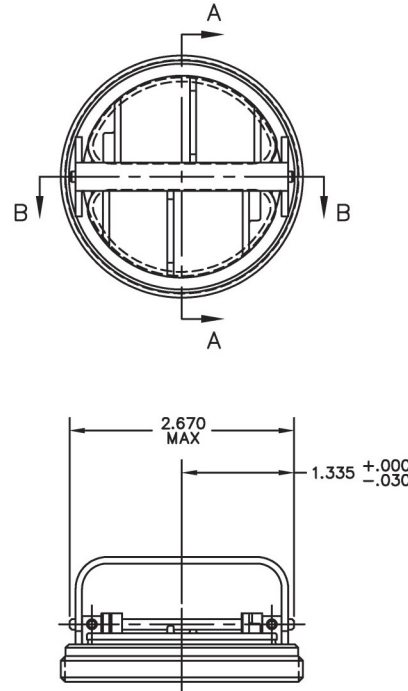
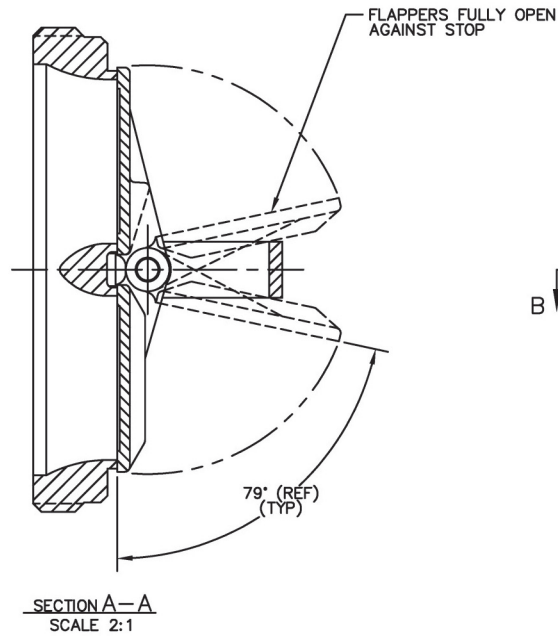
INTERNAL LEAKAGE: 0.1 LB/MIN MAX FROM 0 TO 10 PSIG AT 80°F

WEIGHT: 0.38 LBS MAX

CATEGORY 1: SPLIT FLAPPER CHECK VALVES



PART NUMBER: 2S2864, BLEED AIR CHECK VALVE



PERFORMANCE SPECIFICATIONS:

FLUIDS: AIR, ENGINE BLEED

MATERIAL: BODY 347 CRES

TEMPERATURE RANGE: -65°F TO 490°F CONTINUOUS,
700°F FOR 10 MIN & 800°F FOR 1 MIN

OPERATING PRESSURE: 20—90 PSIG

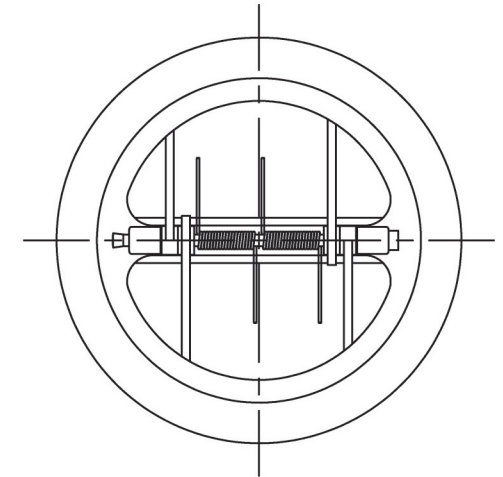
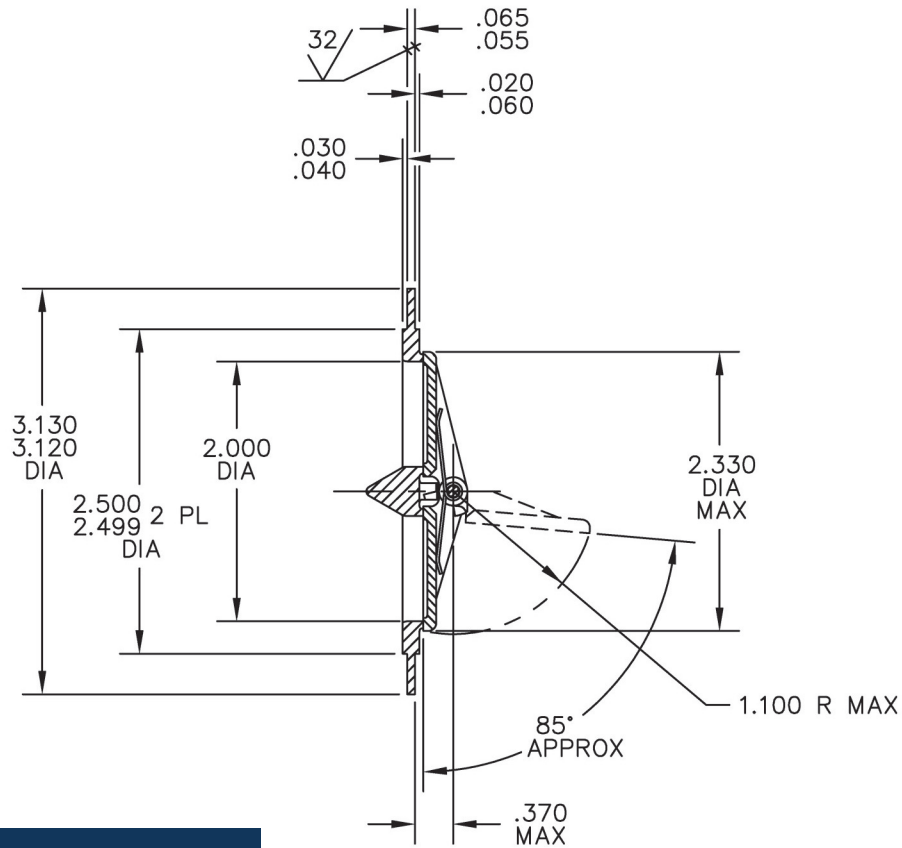
PROOF PRESSURE: 155 PSIG AT 570°F (CHECKED DIRECTION)

INTERNAL LEAKAGE: 0.300 LBS/MIN MAX AT 20—90 PSID & 350°F

CATEGORY 1: SPLIT FLAPPER CHECK VALVES



PART NUMBER: 2S6438, CHECK VALVE



PERFORMANCE SPECIFICATIONS:

FLUIDS: AIR

MATERIAL: BODY 17-4PH CRES

FLAPPER 17-4PH CRES

TEMPERATURE RANGE: -65°F TO 803°F

OPERATING PRESSURE: 84 PSIG

PROOF PRESSURE: 235 PSIG

FLOW: 25 LB/MIN AT 5.5" H₂O ΔP WITH 50 PSIA INLET AND 340°F

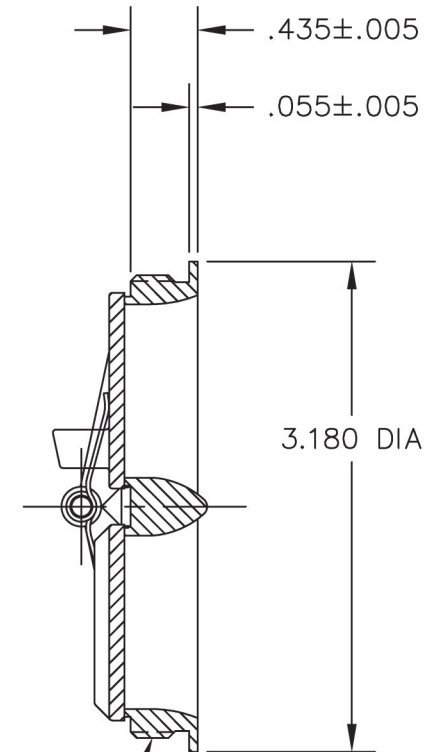
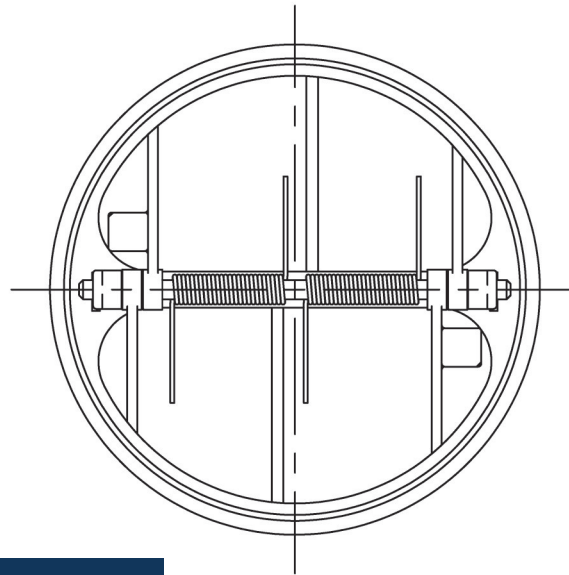
INTERNAL LEAKAGE: 0.15 LB/MIN MAX AT 55 PSIG AND 600°F

WEIGHT: 0.35 LBS MAX

CATEGORY 1: SPLIT FLAPPER CHECK VALVES



PART NUMBER: 2S2340-1, CHECK VALVE



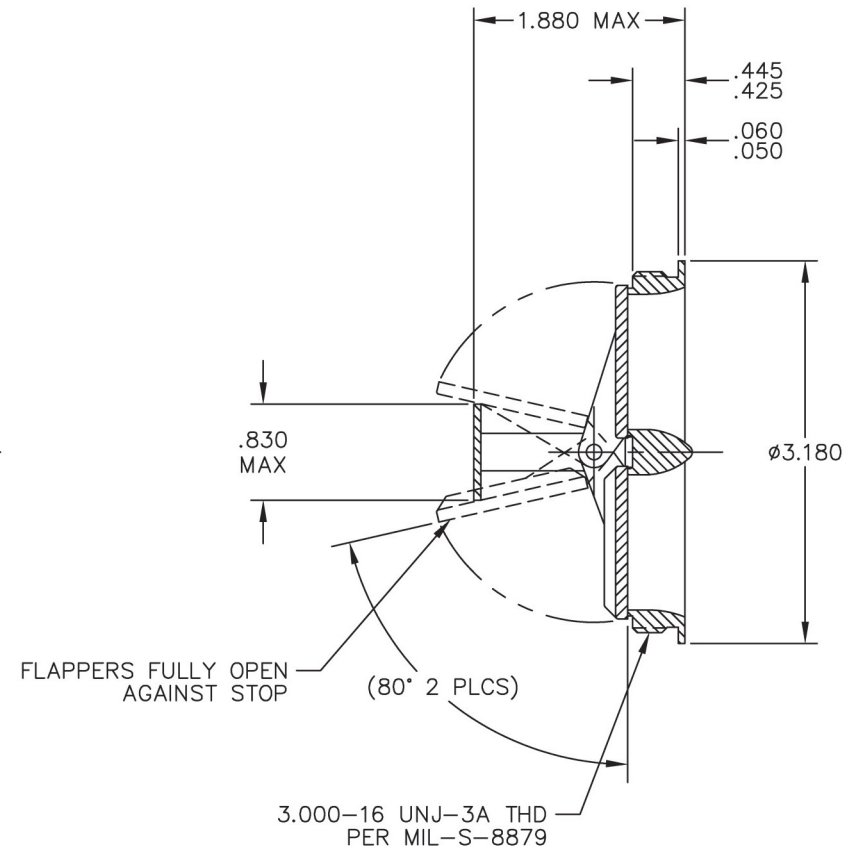
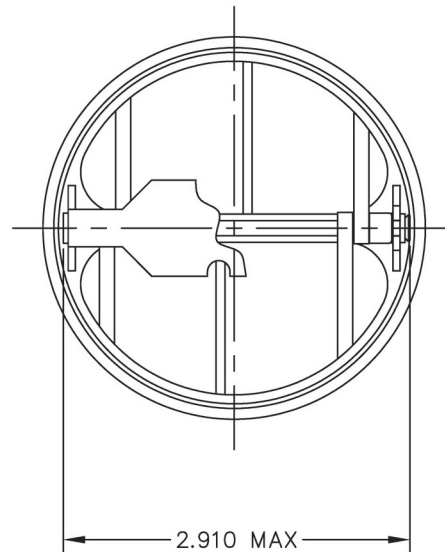
PERFORMANCE SPECIFICATIONS:

FLUIDS: BLEED AIR
MATERIAL: BODY 347 CRES
 FLAPPER 347 CRES
TEMPERATURE RANGE: -65°F TO 1215°F
OPERATING PRESSURE: 40 TO 225 PSIG
PROOF PRESSURE: 248 PSIG
CRACKING PRESSURE: 2" H₂O MAX
FLOW: 150 LB/MIN AT 3.5 PSID MAX WITH 29.7 PSIA INLET AND 200°F
INTERNAL LEAKAGE: 0.25 LB/MIN MAX AT 70 TO 225 PSIG AND 80°F
WEIGHT: 0.65 LBS MAX

CATEGORY 1: SPLIT FLAPPER CHECK VALVES



PART NUMBER: 2S6252-1, CHECK VALVE



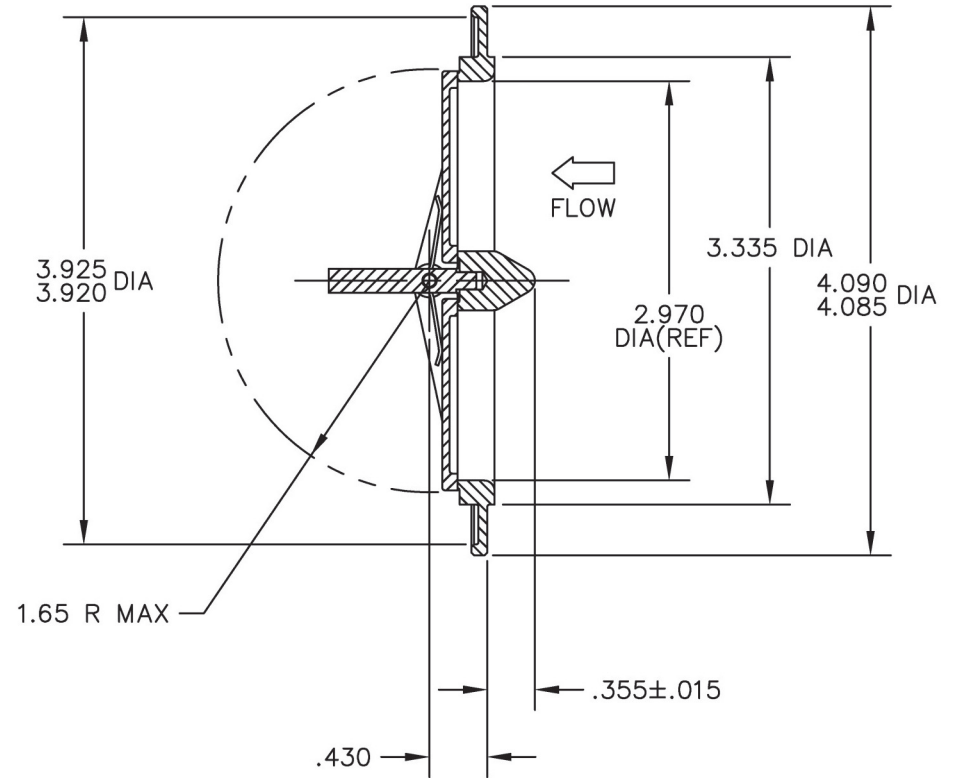
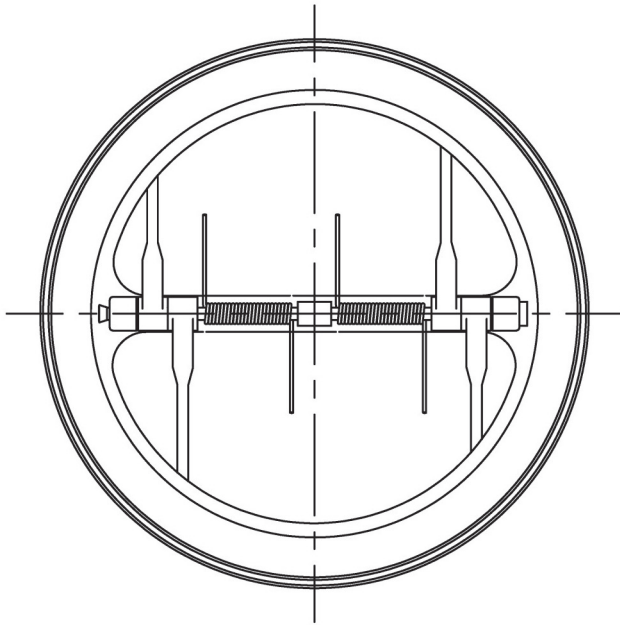
PERFORMANCE SPECIFICATIONS:

FLUIDS: BLEED AIR
MATERIAL: BODY 347 CRES
FLAPPER 347 CRES
TEMPERATURE RANGE: -65°F TO 1215°F
OPERATING PRESSURE: 40 TO 225 PSIG
PROOF PRESSURE: 248 PSIG
FLOW: 150 LB/MIN AT 3.5 PSID MAX WITH 29.7 PSIA INLET AND 200°F
INTERNAL LEAKAGE: 0.25 LB/MIN MAX AT 70 TO 225 PSIG AND 80°F
WEIGHT: 0.65 LBS MAX

CATEGORY 1: SPLIT FLAPPER CHECK VALVES



PART NUMBER: 2S2942, CHECK VALVE



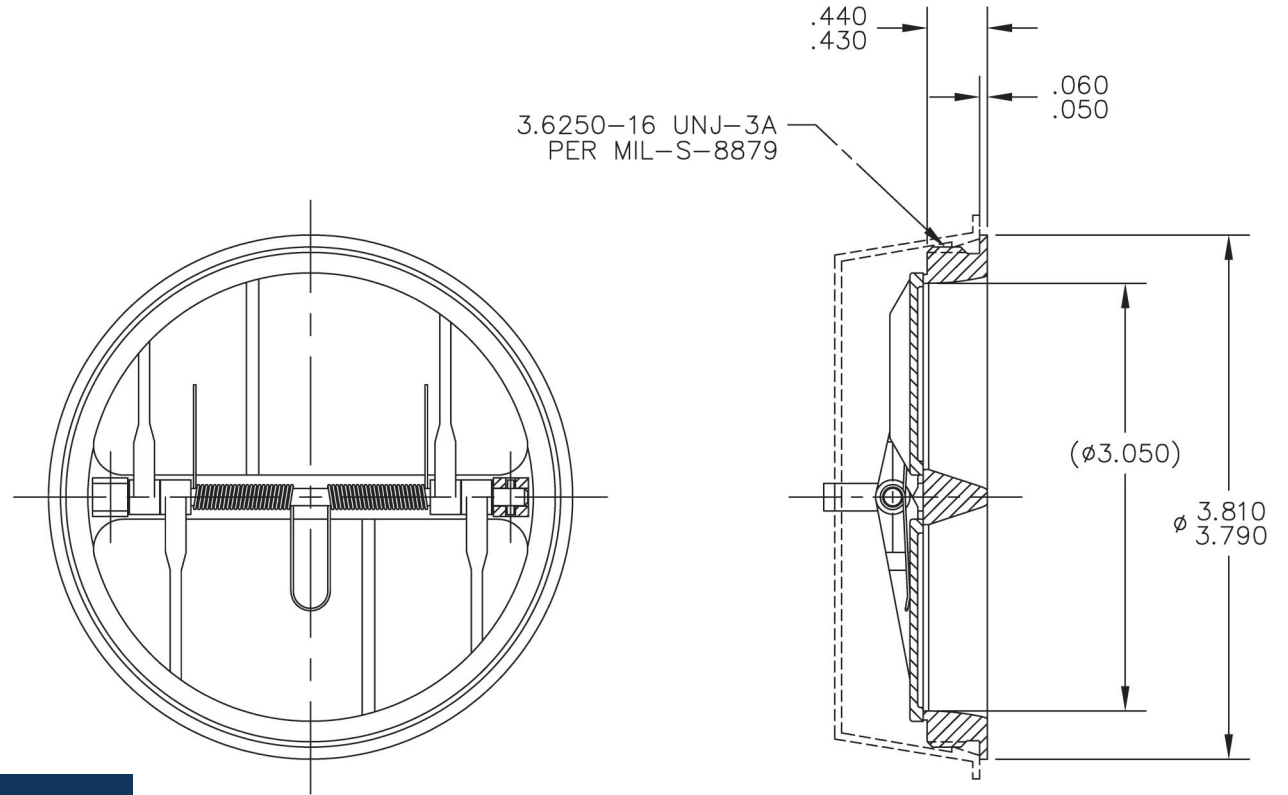
PERFORMANCE SPECIFICATIONS:

FLUIDS: AIR
MATERIAL: BODY 17-4PH CRES
FLAPPER 17-4PH CRES
TEMPERATURE RANGE: -65°F TO 700°F
OPERATING PRESSURE: 180 PSIG
PROOF PRESSURE: 345.3 PSIG
CRACKING PRESSURE: 0.2 PSIG MAX
FLOW: 125 LB/MIN AT 0.6 PSID (REF) WITH 180 PSIA INLET AND 470°F
INTERNAL LEAKAGE: 0.1 LB/MIN MAX AT 180 PSIG
WEIGHT: 0.65 LBS MAX

CATEGORY 1: SPLIT FLAPPER CHECK VALVES



PART NUMBER: 2S2962, CHECK VALVE



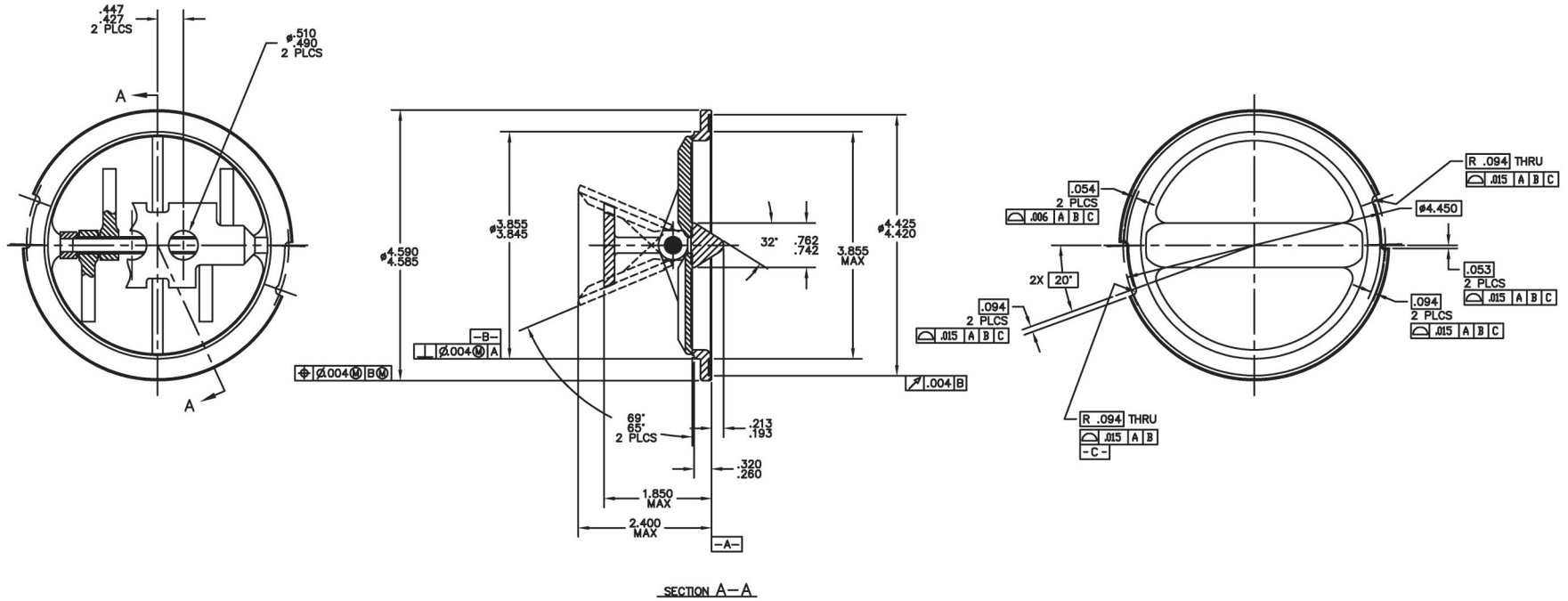
PERFORMANCE SPECIFICATIONS:

FLUIDS: BLEED AIR
MATERIAL: BODY 347 CRES
FLAPPER 347 CRES
TEMPERATURE RANGE: -65°F TO 1215°F
OPERATING PRESSURE: 225 PSIG
PROOF PRESSURE: 248 PSIG
CRACKING PRESSURE: 2" H₂O MAX
INTERNAL LEAKAGE: 0.25 LB/MIN MAX AT 70 TO 225 PSIG AND 80°F

CATEGORY 1: SPLIT FLAPPER CHECK VALVES



PART NUMBER: 2S7048, CHECK VALVE



PERFORMANCE SPECIFICATIONS:

FLUIDS: BLEED AIR

MATERIAL: BODY 17-4PH CRES

FLAPPER 17-4PH CRES

TEMPERATURE: 500°F MAX

OPERATING PRESSURE: 73 PSIG

PROOF PRESSURE: 190 PSIG

FLOW: 162 LB/MIN AT 2 PSID MAX WITH 53 PSIA INLET AND 426°F

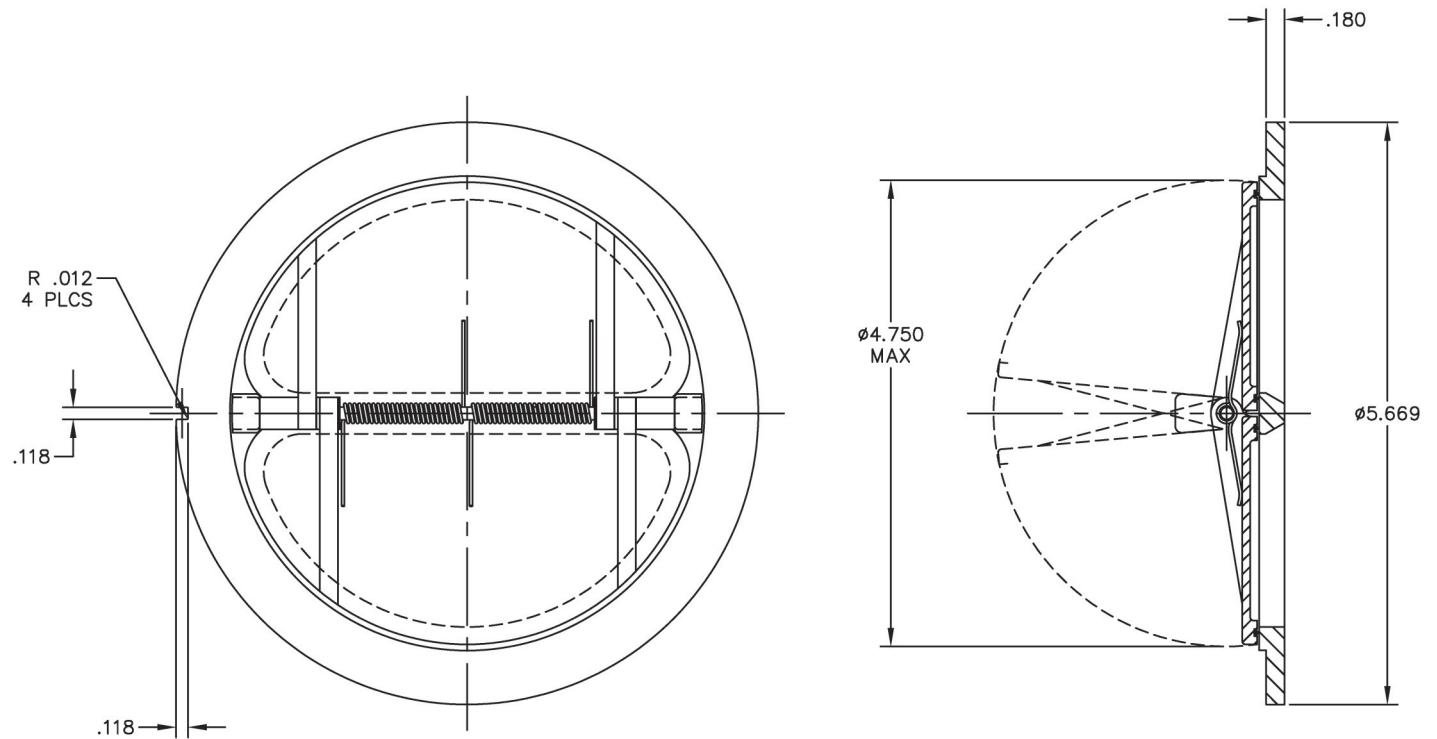
INTERNAL LEAKAGE: 0.2 LB/MIN MAX AT 70 PSIG AND 80°F

WEIGHT: 1.6 LBS MAX

CATEGORY 1: SPLIT FLAPPER CHECK VALVES



PART NUMBER: 2S6988, CHECK VALVE



PERFORMANCE SPECIFICATIONS:

FLUIDS: JP-4, JP-5 PER MIL-T-5624, JP-8 PER MIL-T-83133, JET A, JET A-1, JET-B

MATERIAL: BODY 15-5PH CRES

FLAPPER 15-5PH CRES

TEMPERATURE RANGE: -85°F TO 140°F

OPERATING PRESSURE: 0 TO 120 PSIG

PROOF PRESSURE: 180 PSIG (CHECKED DIRECTION)

240 PSIG (OPENED DIRECTION)

CRACKING PRESSURE: 0.3 PSID MAX

FLOW: 630 GPM AT 1.82 PSID MAX

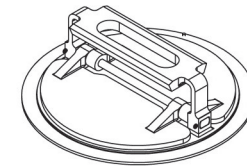
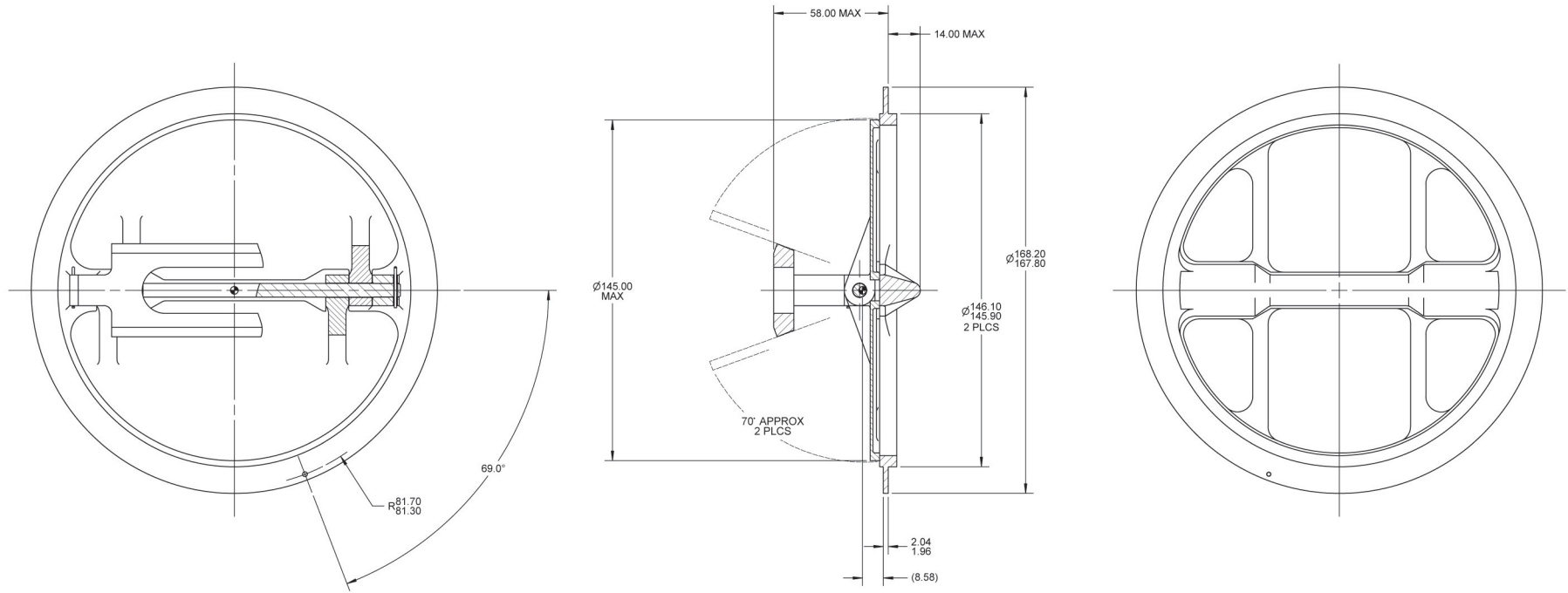
INTERNAL LEAKAGE: 10 DPM FROM NONE TO 120 PSID

WEIGHT: 1.9 LBS MAX

CATEGORY 1: SPLIT FLAPPER CHECK VALVES



PART NUMBER: 2S7138, CHECK VALVE



ISOMETRIC VIEW
FOR REFERENCE ONLY

PERFORMANCE SPECIFICATIONS:

FLUIDS: BLEED AIR

MATERIAL: BODY 17-4PH CRES

FLAPPER 17-4PH CRES

TEMPERATURE RANGE: -67°F TO 500°F

OPERATING PRESSURE: 59.4 PSIG

PROOF PRESSURE: 85.6 PSIG

CRACKING PRESSURE: 2" H_2O MAX

FLOW: 7.06 LB/S AT 58.5 PSIG MAX AND 77°F

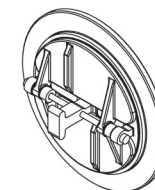
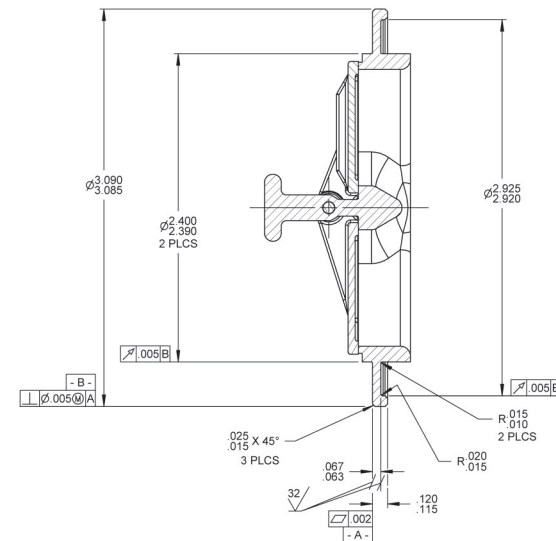
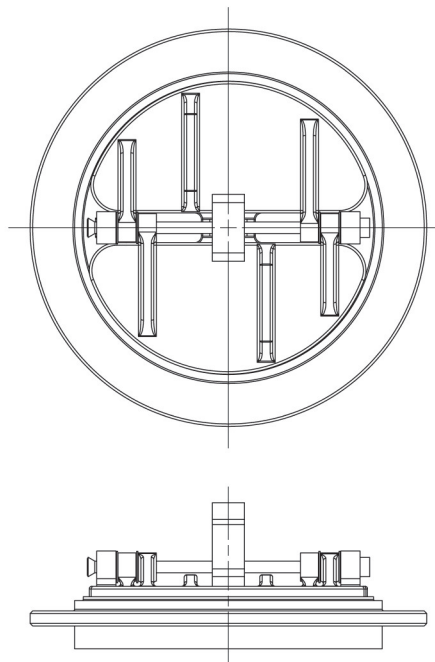
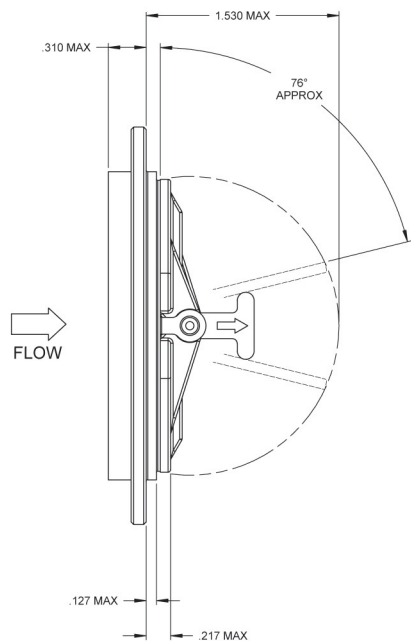
INTERNAL LEAKAGE: 0.0079 LB/S MAX AT 59.4 PSIG AND 77°F

WEIGHT: 2.1 LBS MAX

CATEGORY 1: SPLIT FLAPPER CHECK VALVES



PART NUMBER: 2S7362, CHECK VALVE



ISOMETRIC VIEW FOR REFERENCE ONLY

PERFORMANCE SPECIFICATIONS:

FLUIDS: BLEED AIR

MATERIAL: BODY INCONEL 718

FLAPPER INCONEL 718

TEMPERATURE RANGE: -65°F TO 985°F

OPERATING PRESSURE: 115 PSIG (INLET)

82 PSIG (OUTLET)

PROOF PRESSURE: 309.6 PSIG

FLOW: 28.8 LB/MIN AT 0.4 PSIG MAX

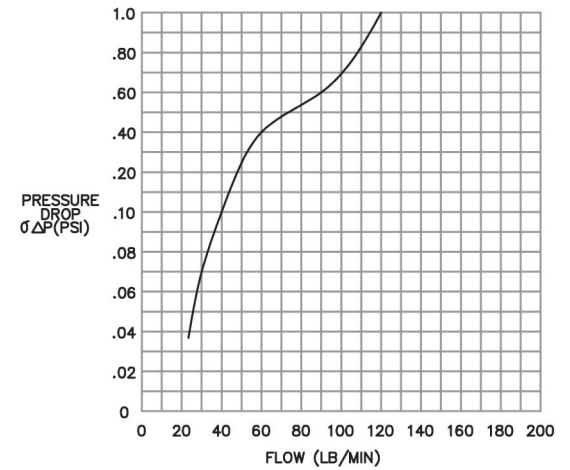
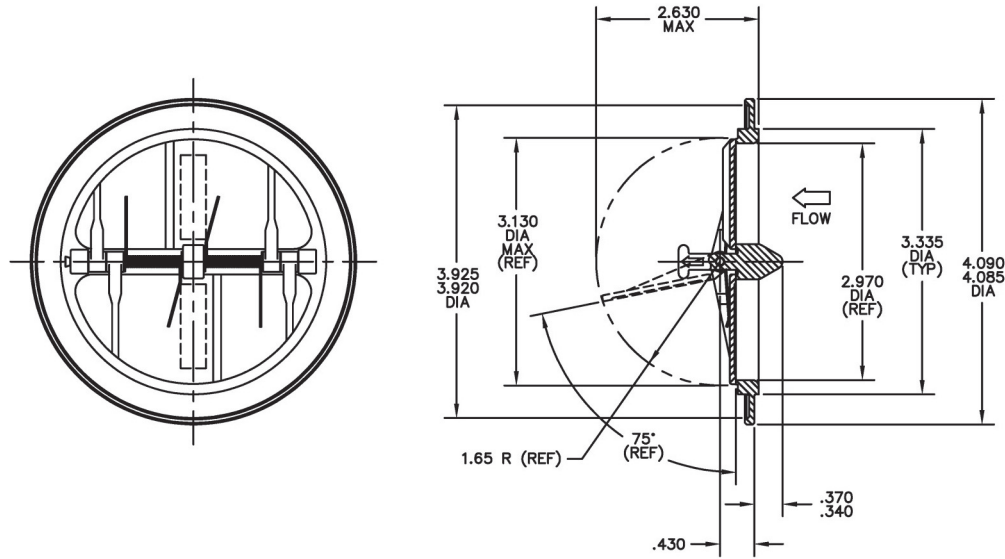
INTERNAL LEAKAGE: 0.50 LB/MIN MAX FROM 0 TO 81 PSIG AND 80°F

WEIGHT: 0.37 LBS MAX

CATEGORY 1: SPLIT FLAPPER CHECK VALVES



PART NUMBER: 2S6094-1, CHECK VALVE



PERFORMANCE SPECIFICATIONS:

FLUIDS: AIR

MATERIAL: BODY INCONEL 718

FLAPPER INCONEL 718

TEMPERATURE RANGE: -65°F TO 1110°F

OPERATING PRESSURE: 25 TO 184 PSIG

PROOF PRESSURE: 457 PSIG

CRACKING PRESSURE: 1" H₂O MAX

FLOW: SEE CHART

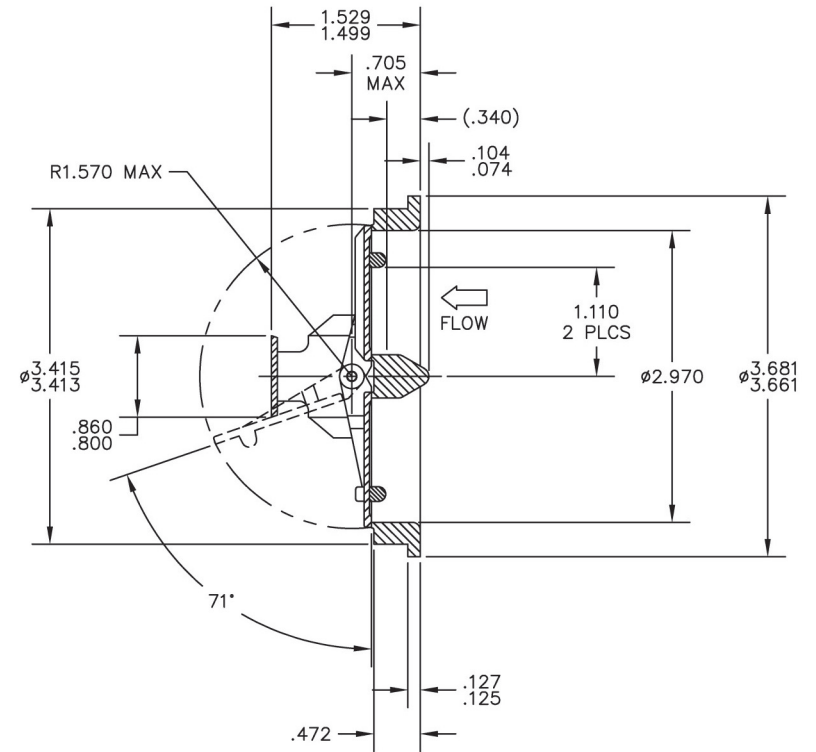
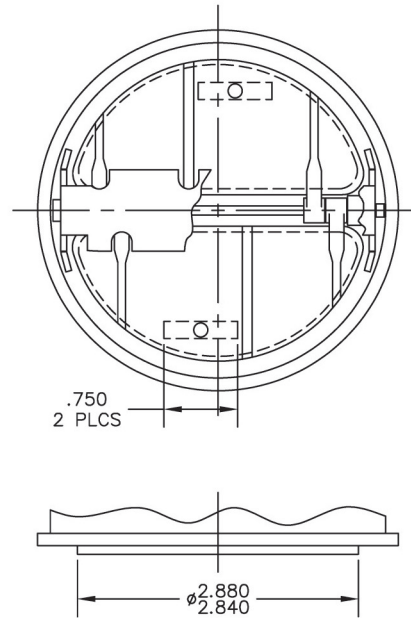
INTERNAL LEAKAGE: 0.35 LB/MIN MAX AT 110 PSIG AT 80°F

WEIGHT: 0.65 LBS MAX

CATEGORY 1: SPLIT FLAPPER CHECK VALVES



PART NUMBER: 2S7060, CHECK VALVE



PERFORMANCE SPECIFICATIONS:

FLUIDS: AIR

MATERIAL: BODY INCONEL 718

FLAPPER INCONEL 718

TEMPERATURE RANGE: -65°F TO 1076°F

OPERATING PRESSURE: 72.5 PSIG

PROOF PRESSURE: 537 PSIG

CRACKING PRESSURE: $1'' \text{H}_2\text{O}$ MAX

FLOW: 110 LB/MIN AT 1.60 PSID MAX WITH 58 PSIA INLET AND 387°F

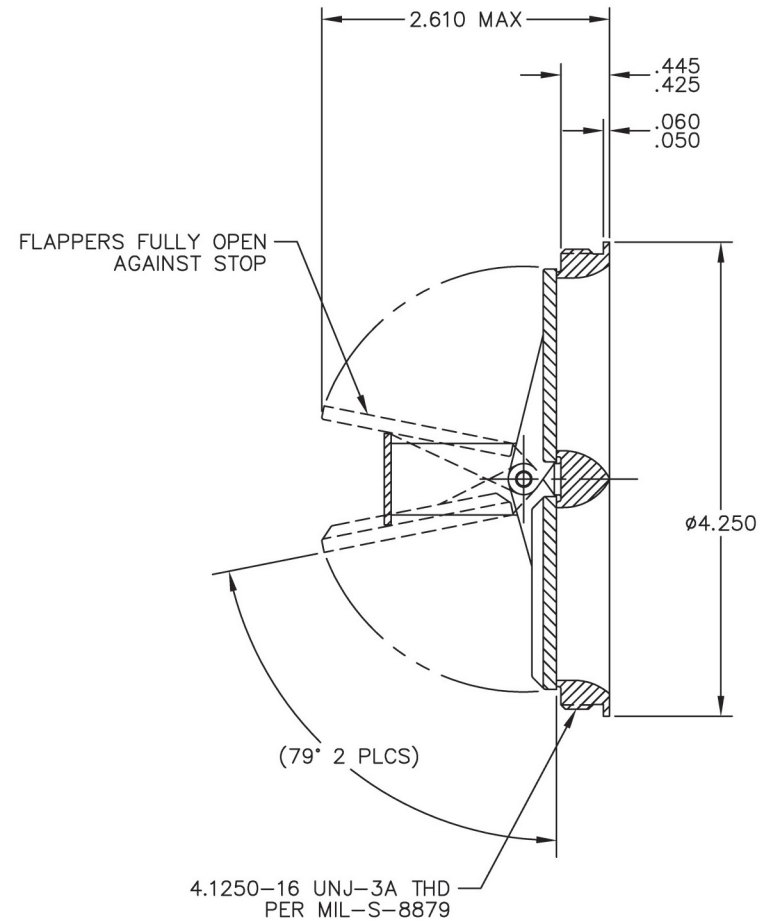
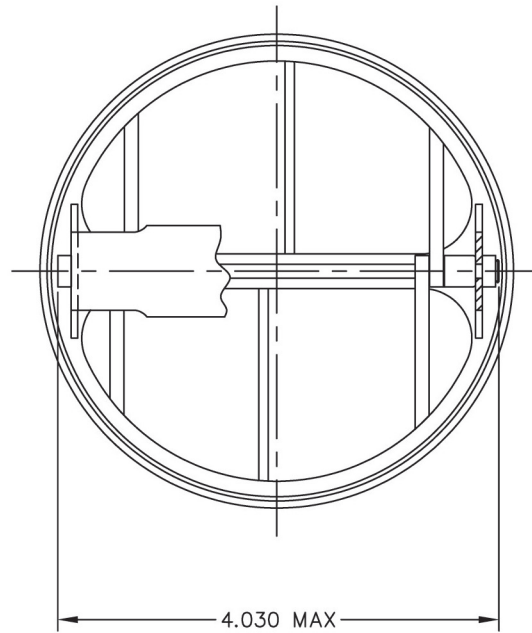
INTERNAL LEAKAGE: 0.35 LB/MIN MAX AT 72.5 PSIG AND 1040°F

WEIGHT: 0.85 LBS MAX

CATEGORY 1: SPLIT FLAPPER CHECK VALVES



PART NUMBER: 2S6250-1, CHECK VALVE



PERFORMANCE SPECIFICATIONS:

FLUIDS: AIR

MATERIAL: BODY N155 ALLOY
FLAPPER 347 CRES

TEMPERATURE RANGE: -65°F TO 1215°F

OPERATING PRESSURE: 70 TO 225 PSIG

PROOF PRESSURE: 248 PSIG

FLOW: 200 LB/MIN AT 5.78 PSID MAX WITH 29.7 PSIA INLET AND 200°F

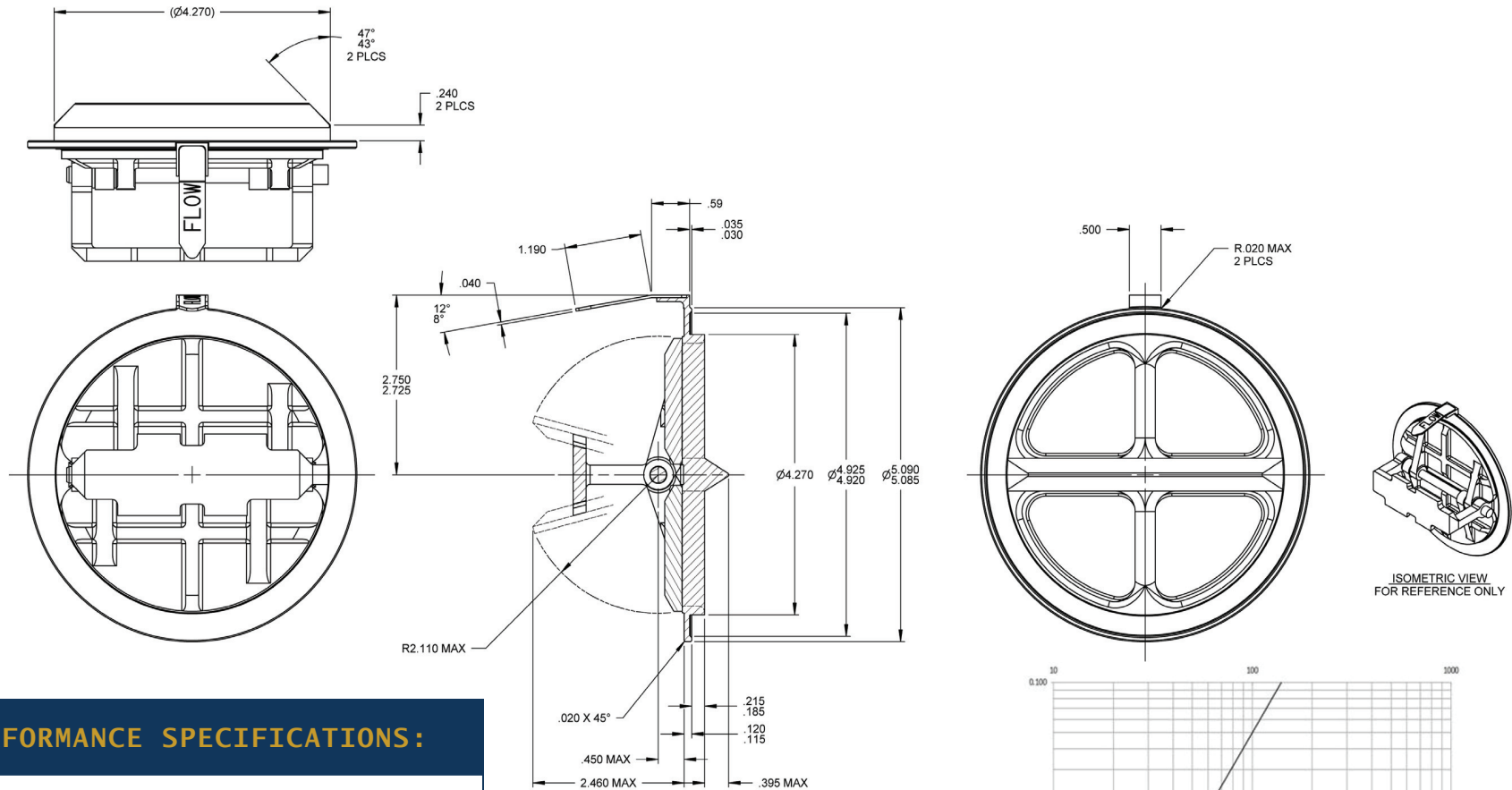
INTERNAL LEAKAGE: 0.25 LB/MIN MAX FROM 70 TO 225 PSIG AND 80°F

WEIGHT: 1.20 LBS MAX

CATEGORY 1: SPLIT FLAPPER CHECK VALVES

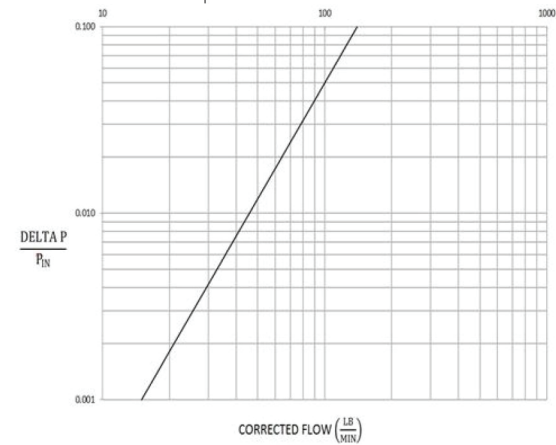


PART NUMBER: 2S7500, CHECK VALVE



PERFORMANCE SPECIFICATIONS:

FLUIDS: BLEED AIR
 MATERIAL: BODY INCONEL 718
 FLAPPER INCONEL 718
 TEMPERATURE RANGE: -65°F TO 1184°F
 OPERATING PRESSURE: 171 PSIG
 PROOF PRESSURE: 372 PSIG (FLOW DIRECTION)
 352 PSIG (CHECKED DIRECTION)
 CRACKING PRESSURE: 2" H₂O MAX
 FLOW: SEE CHART
 INTERNAL LEAKAGE: 0.30 LB/MIN MAX AT 219 PSIG AND 70°F
 WEIGHT: 1.93 LBS MAX



MAXIMUM ALLOWABLE PRESSURE LOSS

CATEGORY 1: SPLIT FLAPPER CHECK VALVES



CRISSAIR HAS HUNDREDS OF OTHER CHECK VALVES NOT LISTED IN THE CATALOG WITH DIFFERENT MATERIALS, FITTINGS, AND SIZE CONFIGURATIONS.

CONTACT CRISSAIR FOR ADDITIONAL INFORMATION/DRAWINGS AT

(661) 367-3300 OR SALES@CRISSAIR.COM.

YOU CAN ALSO VISIT WWW.CRISSAIR.COM.