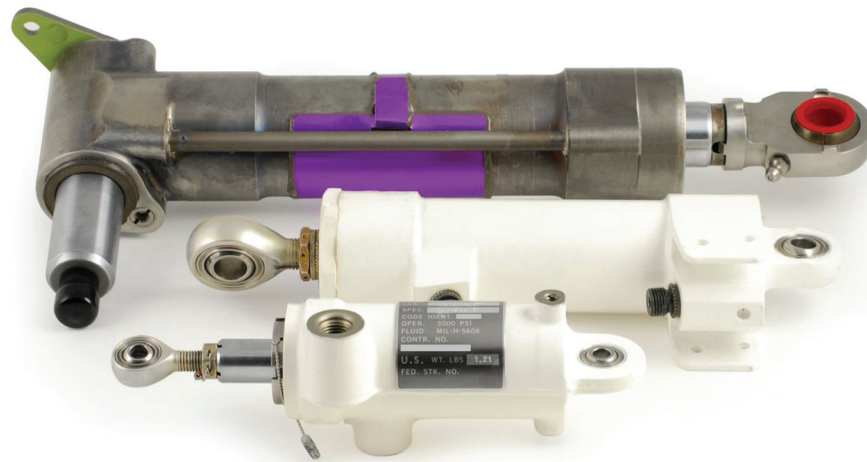


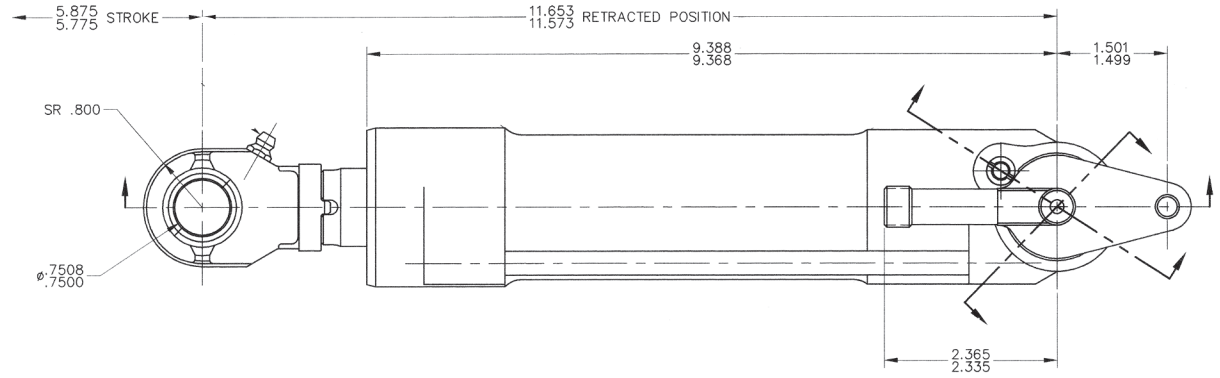
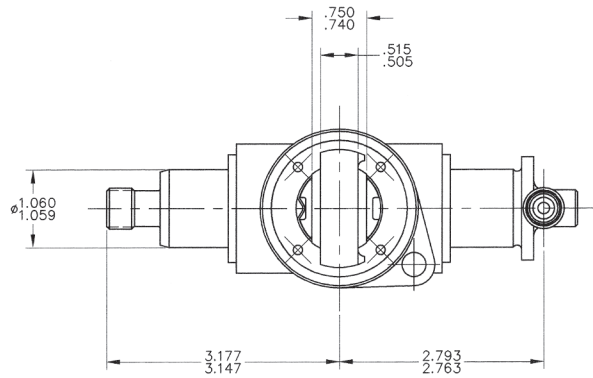
ACTUATORS

Crissair Inc. designs and manufactures small to medium-sized actuators for hydraulic systems. Applications include, but are not limited to, side brace support for large commercial airplane landing gear and spoiler control on military fighter jets.





PART NUMBER: 2A1070-X, ACTUATOR



PERFORMANCE SPECIFICATIONS:

FLUIDS: SKYDROL

MATERIAL: HOUSING 15-5PH CRES

TEMPERATURE RANGE: -65°F TO 275°F

OPERATING PRESSURE: 3000 PSIG

PROOF PRESSURE: 4500 PSIG

INTERNAL LEAKAGE: 1 CC/MIN MAX AT 5 TO 15 PSID
1 CC/MIN MAX AT 3000 PSID

WEIGHT: 8.0 LBS MAX

CATEGORY 9: ACTUATORS



CRISSAIR HAS VARIOUS OTHER ACTUATORS NOT LISTED IN THE CATALOG WITH DIFFERENT MATERIALS, FITTINGS, AND SIZE CONFIGURATIONS.

CONTACT CRISSAIR FOR ADDITIONAL INFORMATION/DRAWINGS AT

(661) 367-3300 OR SALES@CRISSAIR.COM.

YOU CAN ALSO VISIT WWW.CRISSAIR.COM.